

# CARVERaudio.com

A Website Devoted to the Legacy of Bob Carver's Electronics

This, and all manuals found on CARVERaudio.com have been painstakingly scanned, compiled, cataloged and archived by our [dedicated forum members](#), for the benefit of all Carver audio fanatics. These manuals are NOT intended for re-sale. If you should find these manuals "For Sale" on any website, please report your findings to us, so we may have them removed.

# CARVERaudio.com

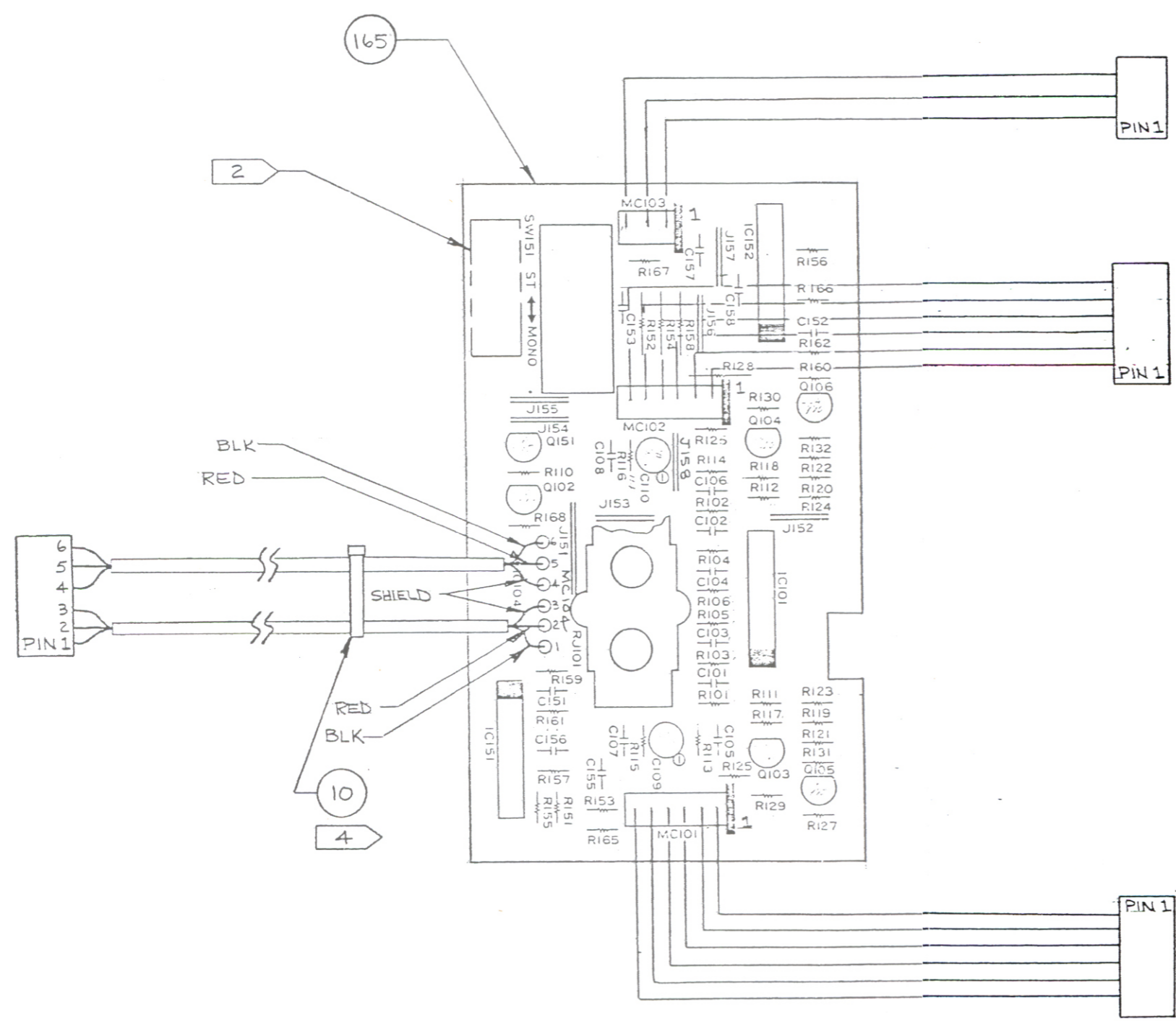
# CARVER

*Powerful • Musical • Accurate*

TFM-55

SCHEMATICS AND LAYOUTS

REVISIONS				
ZONE	REV	DESCRIPTION	DATE	APPROVED
	1	RELEASE TO PILOT	5-28-92	<i>mk</i>
	2	CHANGED PL RJ101 WAS TIN, DWG NOTE I WAS ..REV I.. SV	8-11-92	<i>A.M. V</i>
	3	INC ECO 2139	REM 8/2/92	<i>RP MK</i>
	A	INC ECO 2152	REM 9-11-92	<i>A.M. MK</i>
	B	INC ECO 2191	RP 11/13/92	<i>RAC 76</i>



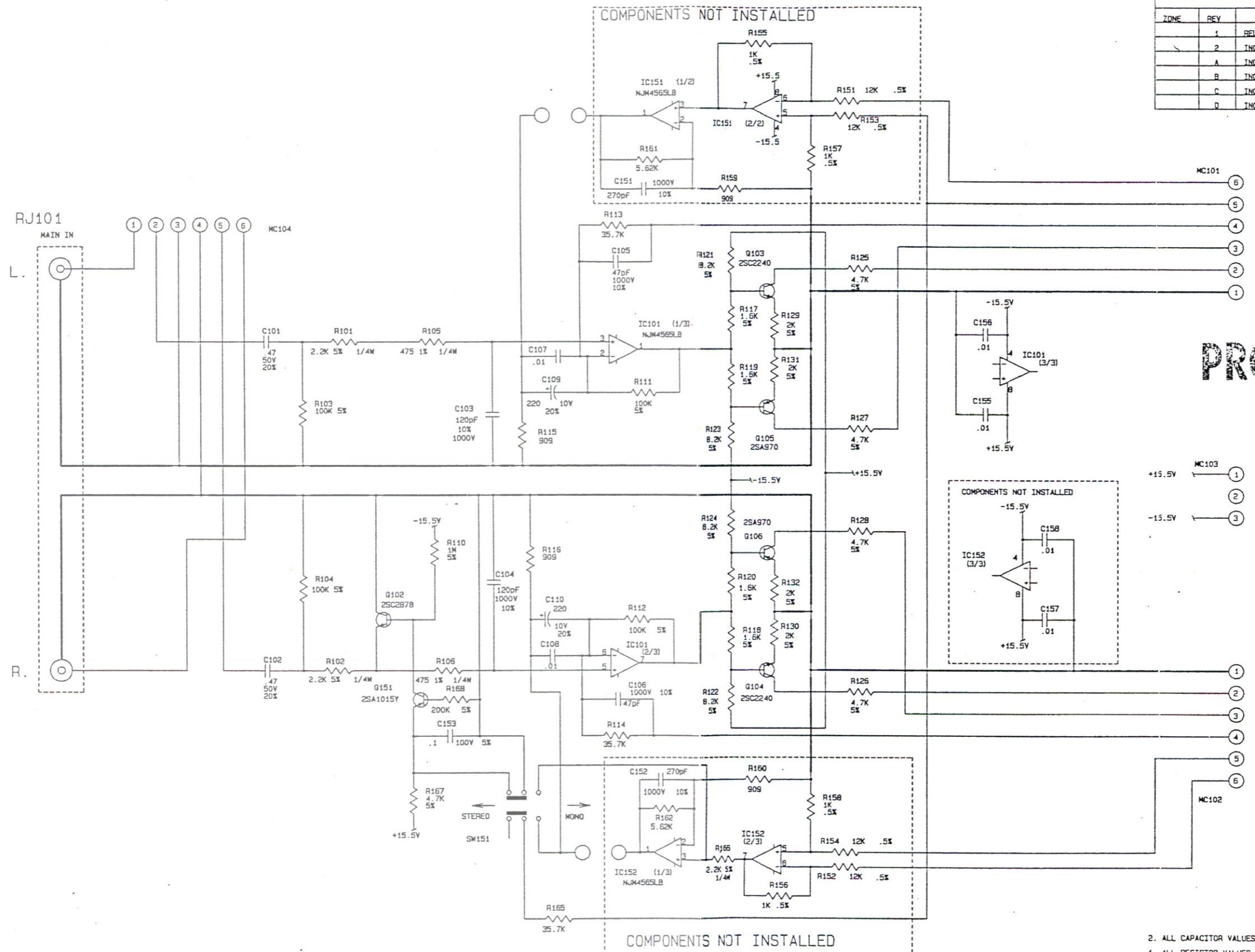
6. DO NOT INSTALL C151, C152, IC151, IC152, R151-R162, R166, J157, C157, C158
  5. FOR SCHEMATIC SEE 605-00515-01.
  4. INSTALL ITEM 10 APPROX EVERY 5 INCHES. TIGHTEN UNTIL CABLES TOUCH.
  3. ALL UNUSED COMPONENT HOLES TO BE FREE OF SOLDER.
  2. USING CONTRASTING AND NON-COND INK, MARK PART NO., ASSY REV AND DASH NO.
- ALL ITEMS ON 602-00515-01 PARTS LIST.  
NOTES: UNLESS OTHERWISE SPECIFIED

602-00515-01 SH 1  
 PCB ASSY INPUT TFM-SS

UNLESS OTHERWISE SPECIFIED DIMENSIONS ARE IN INCHES TOLERANCES ARE: FRACTIONS DECIMALS ANGLES .XX1 .XX1 .XX1			CONTRACT NO.		<h1>CARVER</h1>
			APPROVALS		
MATERIAL			DRAWN		ASSY, PCB MAIN INPUT (MI-802)
			GEBENINI, E.		
FINISH			CHECKED		DWG. NO. 602-00515-01
			A. Masse		
DASH NO.      NEXT ASSY      USED ON      APPLICATION			ISSUED		SIZE      REV. C      B
			S. Velli		
-01 607-00618-01 TFM-SS			ENG.		SCALE NONE      SHEET 1 OF 1
			Theodore Jones		
DO NOT SCALE DRAWING			MFG.		
			R. J. Paul		



REVISIONS				
ZONE	REV	DESCRIPTION	APPROVAL	DATE
	1	RELEASE TO PILOT		
	2	INC ECO 2139		8/17/92
	A	INC ECO 2159	MEH	9/15/92
	B	INC ECO 2172	MEH	10/20/92
	C	INC ECO 2191	BP	12/1/92
	D	INC ECO 2190	MEH	1/1/93



**PRODUCTION**

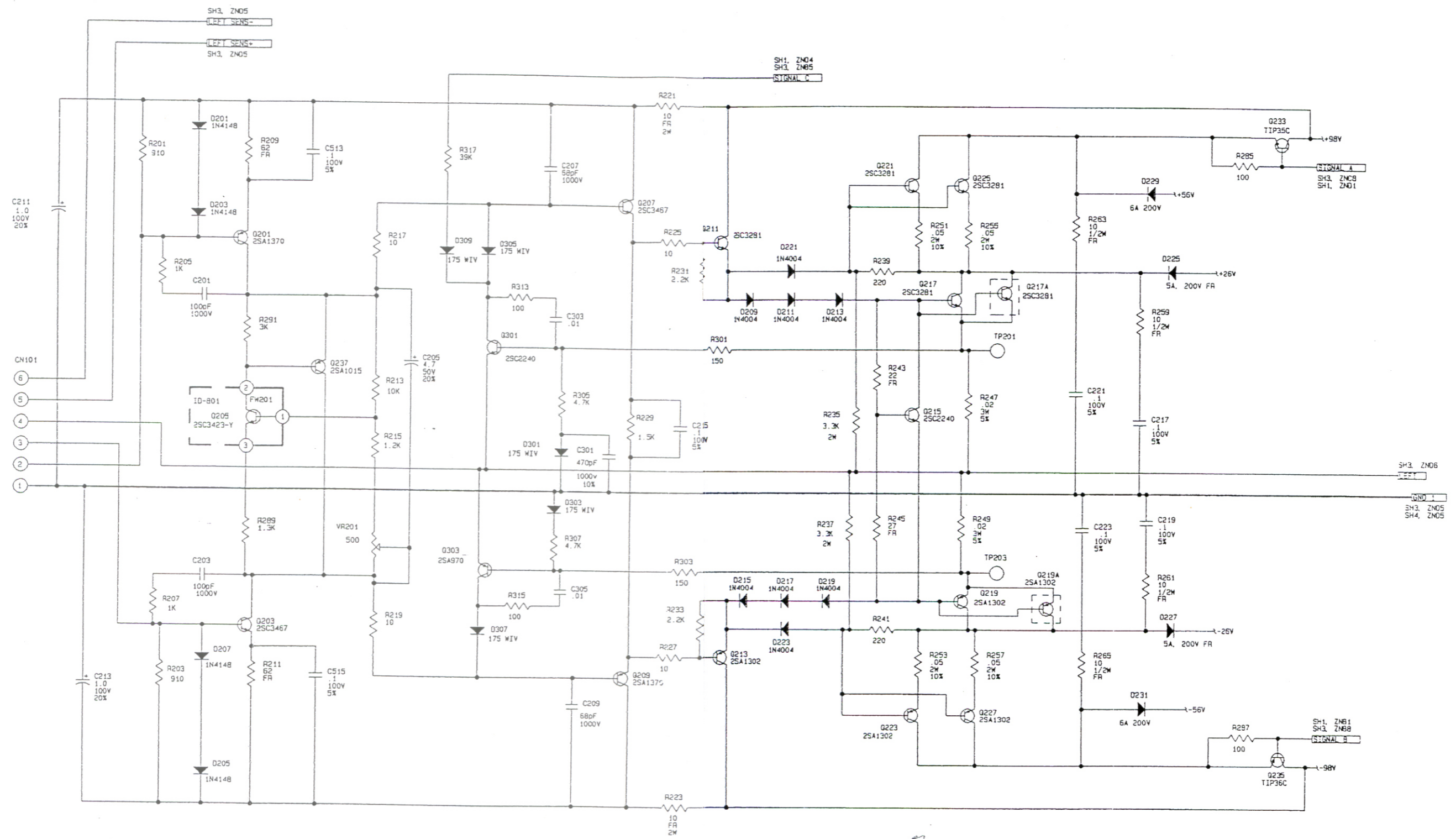
PROPRIETARY TO  
CARVER  
CONFIDENTIAL

- 2. ALL CAPACITOR VALUES ARE IN MICROFARADS
- 1. ALL RESISTOR VALUES ARE IN OHMS  
ALL RESISTORS ARE 1/8W, 1%

NOTES: UNLESS OTHERWISE SPECIFIED

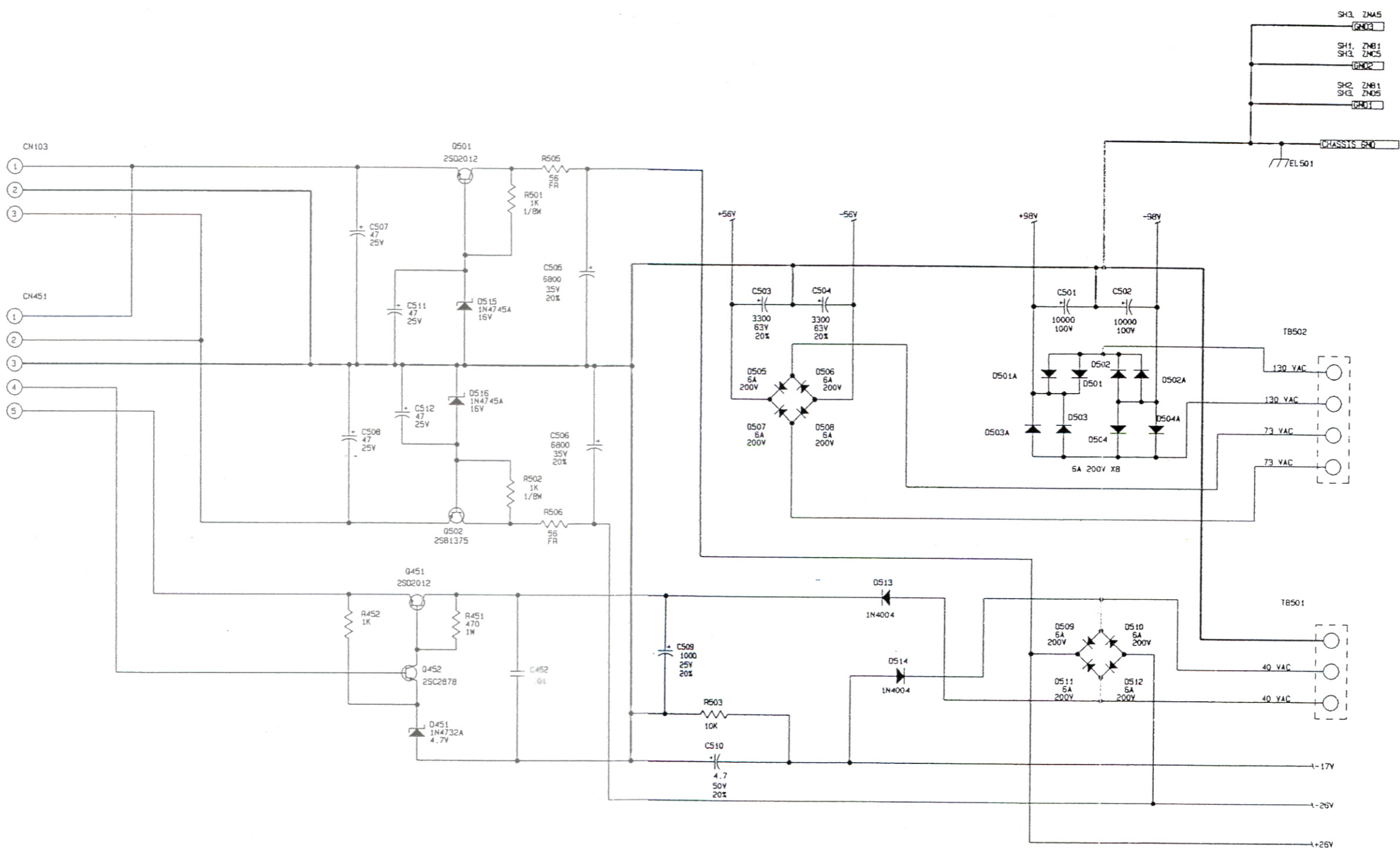
APPROVAL	DATE	CARVER CORPORATION	
DRAWN GEBENINI E.	6/2/92	Title	SCHMATIC, MAIN INPUT 80
CHECKED CALDWELL R.	6/4/92	Size	Document Number
ENG RICHARDSON V.	6/5/92	0	605-00515-01
APP'G KAMINSKI R.	6/5/92	Date	December 22, 1992
ISSUED YELLY S.	6/92	Sheet	1 of 1







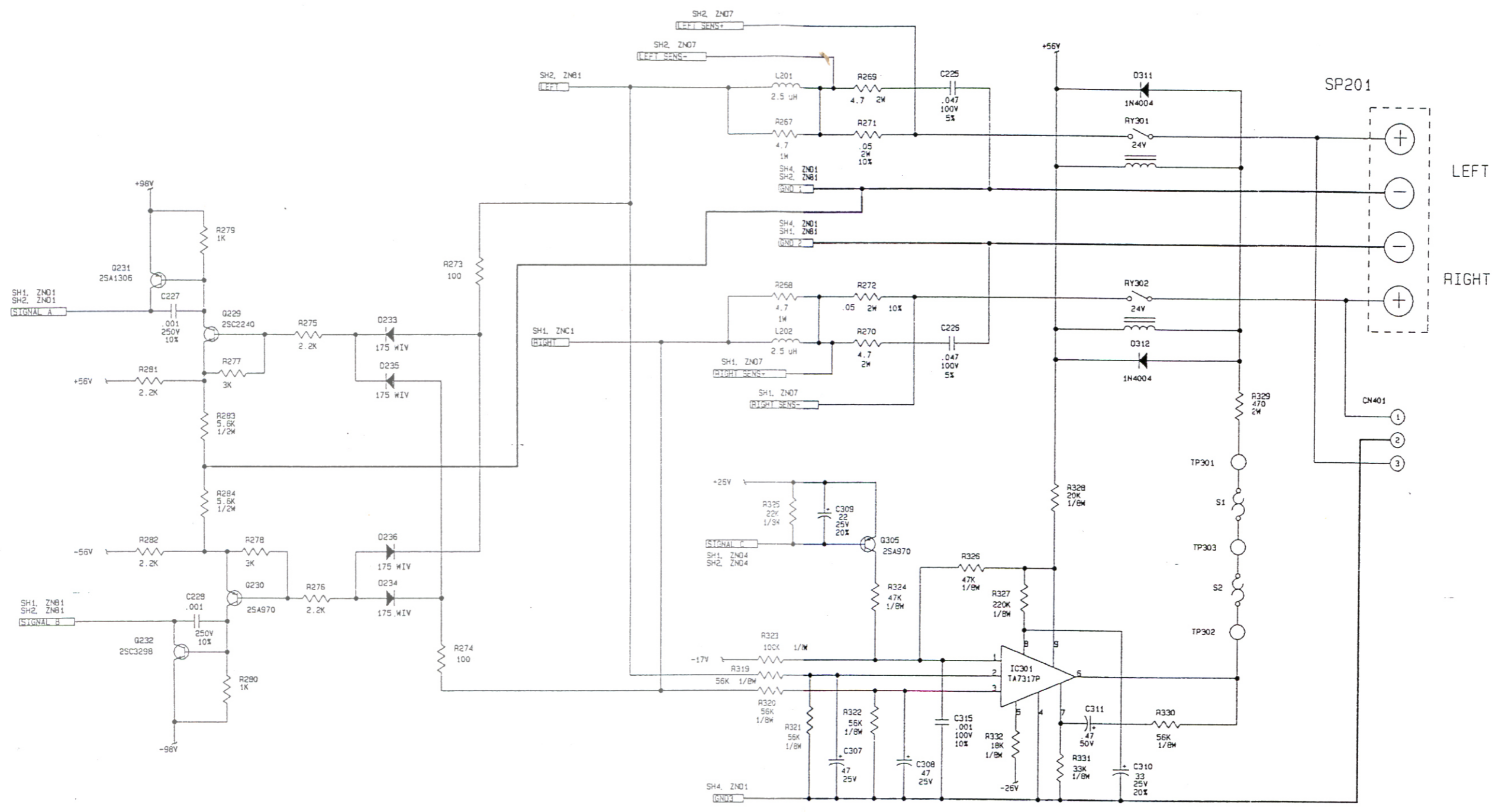




POWER SUPPLY

CARVER CORPORATION		
Size	Document Number	REV
D	605-00514-01	J
Date:	June 1, 1993	Sheet 4 of 4





IC301

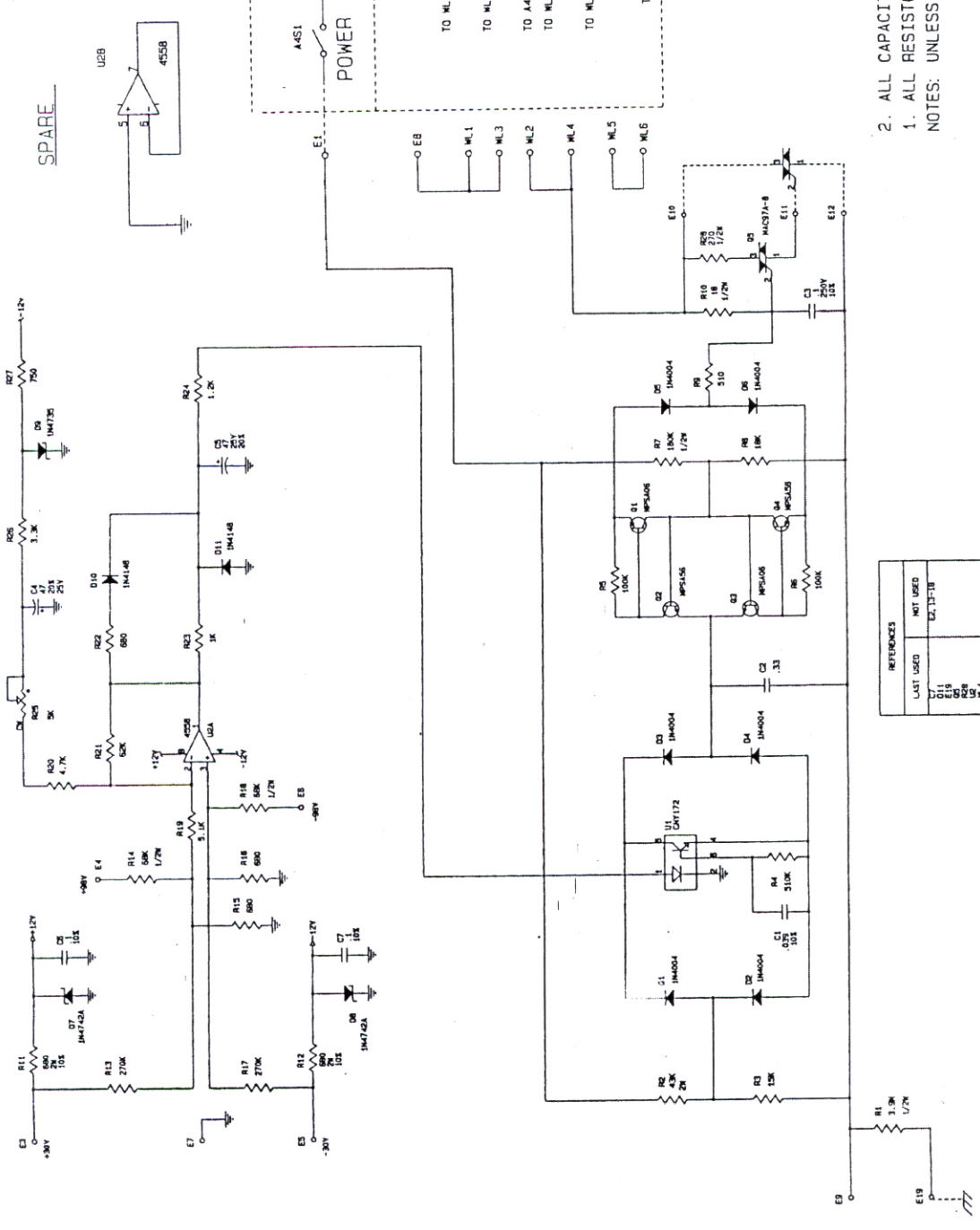
IC Pin NO	1	2	3	4	5	6	7	8	9
VOLTAGE	-5	0	0	0	-7	-6	0	1.3	3

REVISIONS

ZONE	REV.	DESCRIPTION	DATE	APPROVED
	1	DESIGN	11/13/92	
	2	REVISION	11/13/92	

DESIGN TO  
**CONSUMER  
 PRODUCTION**

SPARE



2. ALL CAPACITORS ARE IN MICROFARADS, 5%.  
 1. ALL RESISTOR VALUES ARE IN OHMS, 1/4W, 5%.  
 NOTES: UNLESS OTHERWISE SPECIFIED :

REFERENCES	
LAST USED	NOT USED
D1	D2, D3, D4
D5	D6, D7, D8
R1	R2, R3, R4
R5	R6, R7, R8
R9	R10
R11	R12, R13, R14
R15	R16, R17, R18
R19	R20, R21, R22
R23	R24, R25, R26
R27	R28, R29, R30

**CARVER**

DATE	11/13/92
DESIGNED BY	R. J. JACO
CHECKED BY	DM
ISSUED BY	DM
ISSUE NO.	1
DATE	11/13/92
SIZE	8.5x11.5
PROJECT NO.	885-0012-02
REV.	1

1  
2  
3  
4  
5  
6  
7  
8













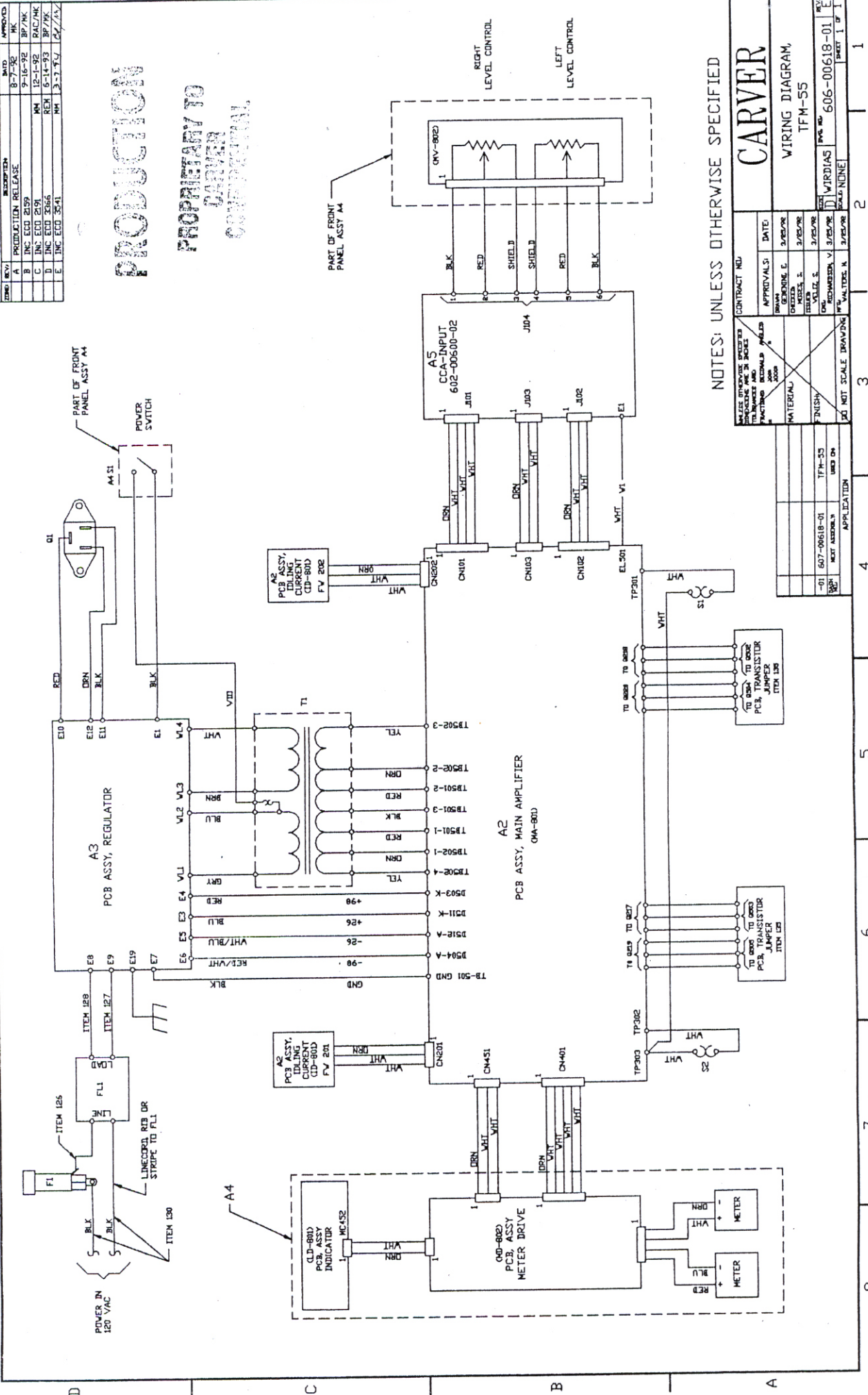
REV. NO. 606-00618-01 1 E

REV.	DESCRIPTION	DATE	APPROVED
A	PRODUCTION RELEASE	8-7-92	MK
B	INC. ECD 25P	9-16-92	BP/MK
C	INC. ECD 25A	12-1-92	PAL/MK
D	INC. ECD 25A	5-14-93	BP/MK
E	INC. ECD 25A1	3-7-94	BP/MK

REVISIONS

REV.	DESCRIPTION	DATE	APPROVED
A	PRODUCTION RELEASE	8-7-92	MK
B	INC. ECD 25P	9-16-92	BP/MK
C	INC. ECD 25A	12-1-92	PAL/MK
D	INC. ECD 25A	5-14-93	BP/MK
E	INC. ECD 25A1	3-7-94	BP/MK

**PRODUCTION**  
**PROPRIETARY TO CARVER**  
**CONFIDENTIAL**



NOTES: UNLESS OTHERWISE SPECIFIED

CONTRACT NO.		APPROVALS:		DATE:	
DESIGNED BY	DESIGNED BY	DESIGNED BY	DESIGNED BY	DATE	DATE
CHECKED BY	CHECKED BY	CHECKED BY	CHECKED BY	DATE	DATE
TESTED BY	TESTED BY	TESTED BY	TESTED BY	DATE	DATE
VALUED BY	VALUED BY	VALUED BY	VALUED BY	DATE	DATE
REWORKED BY	REWORKED BY	REWORKED BY	REWORKED BY	DATE	DATE
WIRING BY	WIRING BY	WIRING BY	WIRING BY	DATE	DATE
SCALE	SCALE	SCALE	SCALE	DATE	DATE
SCALE	SCALE	SCALE	SCALE	DATE	DATE

APPROVALS: APPROVED BY: DATE: APPROVED BY: DATE: APPROVED BY: DATE: APPROVED BY: DATE:

MATERIAL: FINISH: TYP: 607-00618-01 TFM-25 USED ON: APPLICATION: 606-00618-01 1 E









## CARVER CORPORATION SERVICE BULLETIN

Service Bulletin # TFM-55-1	Model: TFM-55	Serial Nos. Below 92Y18000999
-----------------------------	---------------	-------------------------------

REASON: To insure mechanical reliability of transformer mounting.	Date: 2/2/93
---	--------------

DELETE

ADD

Loctite #222  
403-10020-00

### PROCEDURE

Some TFM-55 amplifiers built prior to S/N 92Y18000999 did not have enough thread-locking adhesive applied to the nuts and bolts securing the power transformer.

To eliminate the possibility of the transformer coming loose, whenever servicing a TFM-55 with a serial number below 92Y18000999, inspect the transformer nuts for signs of thread-locking adhesive. If none is apparent, apply a drop of Loctite #222 thread-locking adhesive (or equivalent) to each of the four transformer nuts as shown below.

Service Approval

Engineering Approval

*[Signature]* 2/2/93

*[Signature]* 2-2-93