

CARVERaudio.com

A Website Devoted to the Legacy of Bob Carver's Electronics

This, and all manuals found on CARVERaudio.com have been painstakingly scanned, compiled, cataloged and archived by our [dedicated forum members](#), for the benefit of all Carver audio fanatics. These manuals are NOT intended for re-sale. If you should find these manuals "For Sale" on any website, please report your findings to us, so we may have them removed.

CARVERaudio.com

CARVER

Model CT-17 SERVICE MANUAL

CONTENTS

	Page
SPECIFICATIONS	2
BLOCK DIAGRAM	3
ALIGNMENT PROCEDURES	6
PCB COMPONENT SIDE VIEWS	9
VOLTAGE CONVERSION	16
EXPLODED VIEWS	17
PARTS LIST	19
SCHEMATIC DIAGRAMS	27

SPECIFICATIONS

PHONO:

RIAA+1.0 dB "extended" RIAA curve Overload: 150 mV at 1 kHz
Frequency Response: 20 Hz-20 kHz ± 0.5 dB (High Cut Filter, Tone, Hologram OUT)

SENSITIVITY:

Phono: 2.7 mV
CD/Tape/AUX: 180 mV

NOISE:

Phono: 84 dB, IHF A-weighted, below 5 Vrms at 1 kHz
Line Level: 98 dB, IHF A-weighted, below 2 Vrms

DISTORTION:

THD: 0.01% or less, below 3 Vrms
IM (CCIR or SMPTE): 0.05% or less
TIM: unmeasurable

RATED OUTPUT:

6V

SONIC HOLOGRAM GENERATOR:

Image Resolution: 5 horizontal, 20 vertical
S/N ratio at rated reference: greater than 85 dB

TONE CONTROLS:

Turnover: 100 Hz, 1 kHz, 10 kHz
Boost/Cut: ± 8 dB for bass and treble, ± 6 dB for midrange
Loudness: +3 dB at 100 Hz

MUTE EFFECT:

-20 dB

HEADPHONE:

Sensitivity at preout 1 V: 125 mV
Maximum output at preout 1 V: 400 dB

TUNER SECTION:

FM IHF Usable Sensitivity: 14.3 dBf
FM Sensitivity for 50 dB quieting (mono): 18.3 dBf
FM S/N: 78 dB
FM IF Rejection: 82 dB
FM Capture Ratio: 3.0 dB
FM Harmonic Distortion: 0.10%
FM Alternate Channel Selectivity: 72 dB
AM Suppression: 62 dB
FM Stereo Separation: 46 dB
AM THD (2 mV) 30% Modulation: 1.2%
AM Selectivity at S/N 20 dB ± 10 kHz: 38 dB
AM Image Rejection: 46 dB
AM IF Rejection: 65 dB

VIDEO SECTION:

Frequency Response: 10 Hz-5 MHz ± 1.5 dB
Input Impedance: 75 ohms
Video Input and Output: 1.0 Vp-p

SIZE:

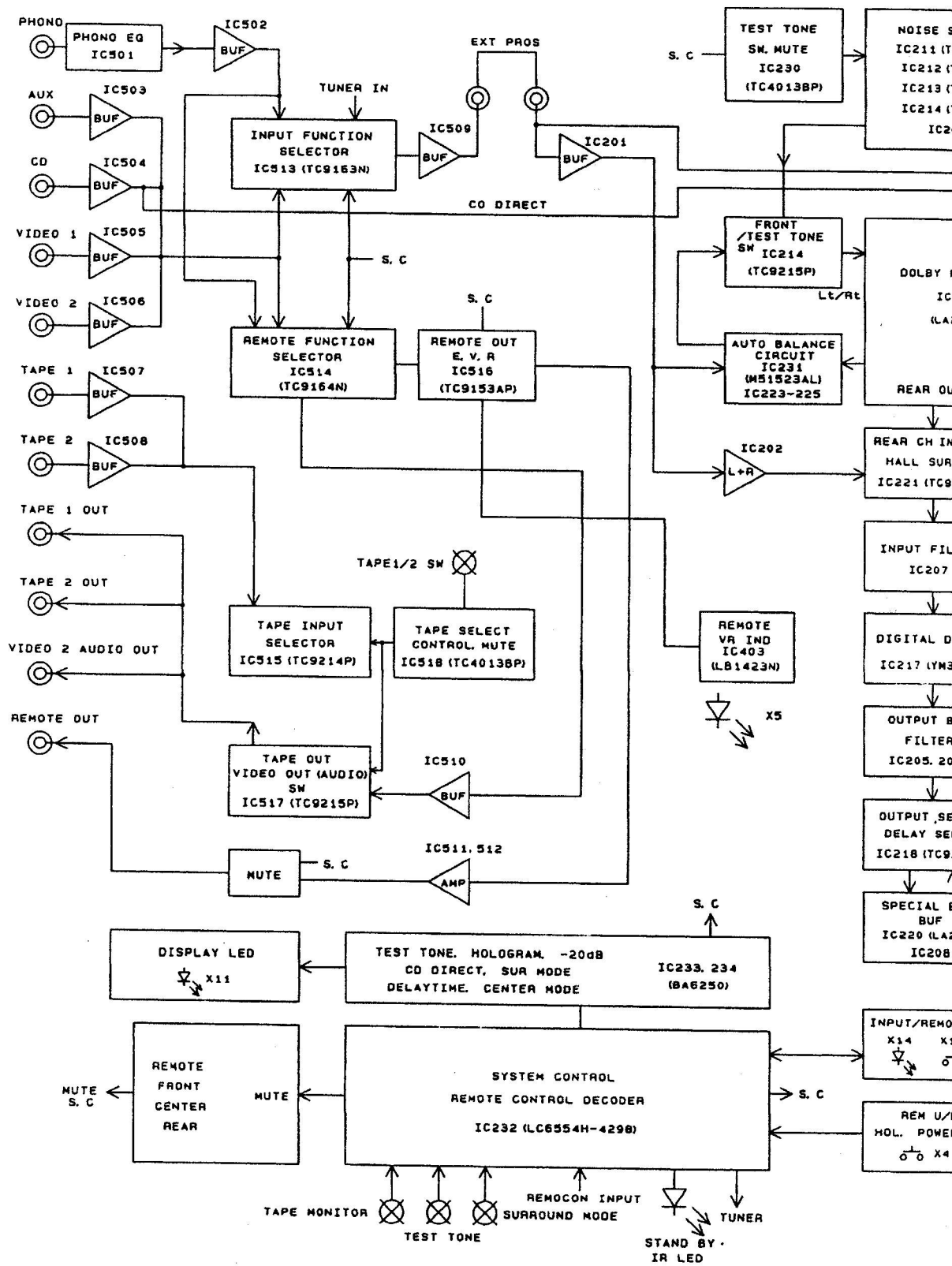
19" \times 3-1/2" \times 12.25"

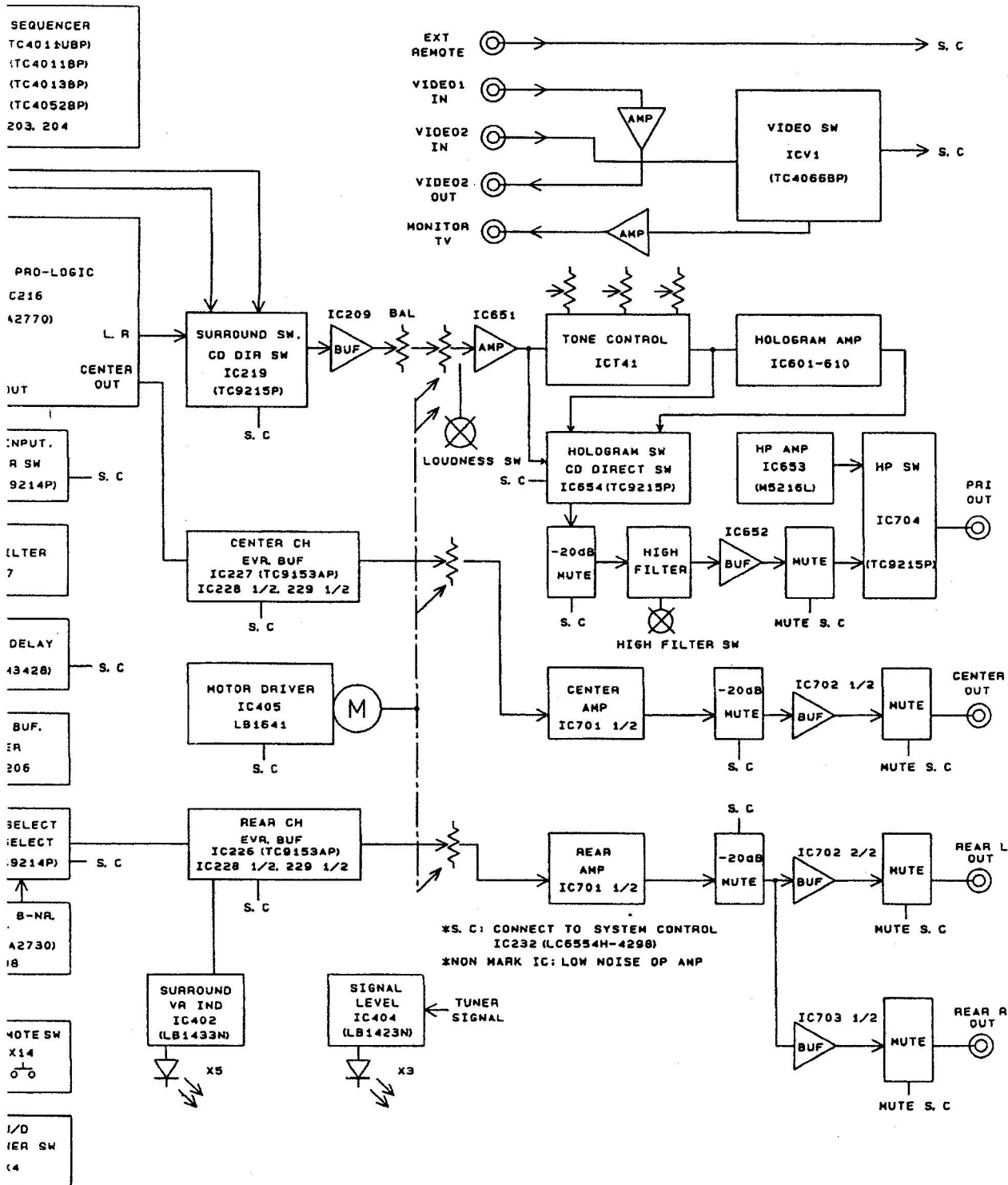
WEIGHT:

12 lbs (5.4 kg)

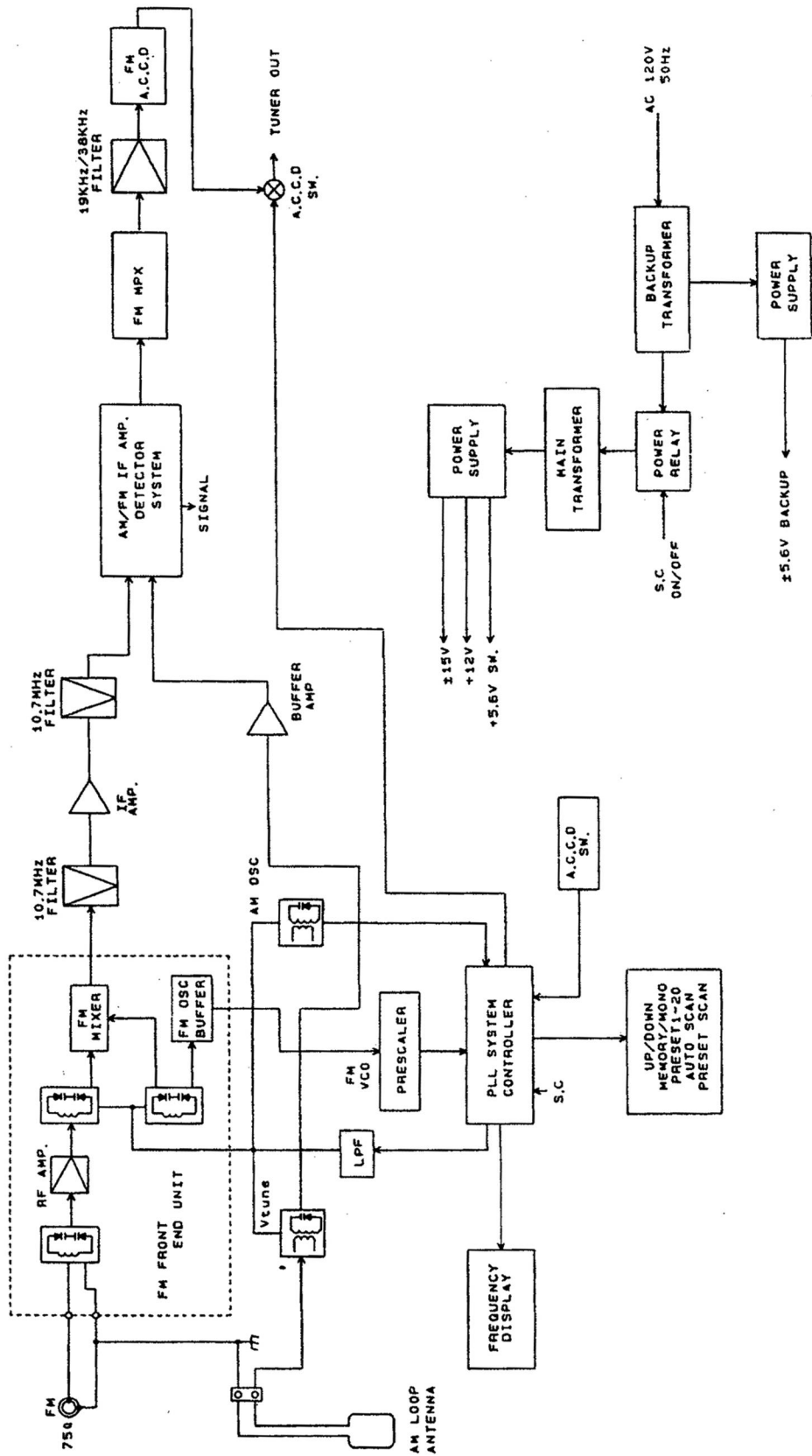
BLOCK DIAGRAM

Audio/Video/Surround





Tuner/Power Supply



ALIGNMENT PROCEDURES

Tuner (AM)

Condition

1. Tuning method: LOCKED indicator, ON
2. Modulation: 400 Hz, 30 %
3. TAPE OUT load: A 100 k Ω resistor shunted by a 1000 pF capacitor
4. Input level: 74 dB/m (5 mV/m) unless otherwise noted
5. Generator output: IRE loop antenna 24" (60cm) spacing or through IHF dummy (200 pF capacitor).
6. CH.STEP switch (SW459): US position (EX version only)
7. Preheat: More than 1 minute

TUNING VOLTAGE

1. Set the tuner frequency to 520 kHz.
2. No input.
3. Connect the DC digital volt meter to the test point TP1.
4. The voltage of AM Low end changes for the color of D1 and D2. (See Fig.2)
5. Adjust T4 until the voltage is 1.00 ± 0.05 V or 0.95 ± 0.05 V, depending on the color of D1 and D2.
6. Change the tuner frequency to 1710 kHz.
7. Adjust TC1 until the voltage is nearly 8 V.

IF

1. Set the tuner frequency to the point of non-interference.
2. Connect the output of IF sweep generator to AM antenna terminal through IHF dummy and set the frequency to 450 ± 0.5 kHz.
3. Connect the input of IF sweep generator to the test point TP3 through a 10 μ F cap.
4. Adjust T3 until the output waveform is flat and maximum.

TRACKING

1. Set the tuner frequency to 600 kHz.
2. Connect the output of signal generator to AM antenna terminal through IHF dummy and set the frequency to 600 kHz.
3. Connect the ACVM to TAPE OUT jacks.
4. Adjust T1 until the ACVM is maximum.
5. Change the tuner frequency from 600 kHz to 1400 kHz.
6. Change the frequency from 600 kHz to 1400 kHz.
7. Adjust TC1 until the ACVM is maximum.

SCAN STOP LEVEL

1. Set the tuner frequency to 1000 kHz.
2. Connect the DC digital volt meter to the test point TP4.
3. Set the input level to 54 dB/m.
4. Connect the output of signal generator to IRE loop antenna and set the frequency to 1000 kHz.
5. Adjust SVR1 until the voltage changes 12 V from 0 V at the test point TP4.

Tuner (FM)

Condition

1. Tuning method: Adjust desired signal frequency.
Reception frequency, 98.00 MHz
2. Generator: Mono.....Mod. 1 kHz, 75 kHz dev.
Stereo...Mod. 1 kHz, 68.25 kHz +6.75 kHz dev.
3. TAPE OUT load: A 100 k Ω resistor shunted by a 1000 pF capacitor
4. Input level: 65.2 dBf (500 μ V) unless otherwise noted
5. De-Emphasis switch (SW51): 75 μ s position (EX version only)
6. AUTO SCAN switch: OFF position
7. Preheat: More than 1 minute

TUNING VOLTAGE

1. Set the tuner frequency to 87.50 MHz.
2. No input.
3. Connect the DC digital volt meter to the test point TP1.
4. Adjust OSC-L(Front-end) until the voltage is 1.6 ± 0.3 V.
5. Change the tuner frequency from 87.50 MHz to 108.00 MHz.
6. Check that the voltage is between $8.0 + 2.1$ V and $8.0 - 1.0$ V.

IF

1. Set the input level to 12.2~14.2 dBf (1.12~1.41 μ V).
2. Connect the output of signal generator to 75 ohm antenna terminal through a matching dummy and set the frequency to 98.00 MHz.
3. Connect the ACVM and the distortion meter to TAPE OUT jacks.
4. Connect the DC digital volt meter to the test point TP2.
5. Adjust IFT (Front-end) until the ACVM is maximum or the distortion meter is minimum.
6. Change the input level from 12.2~14.2 dBf (1.12~1.41 μ V) to 65.2 dBf (500 μ V).
7. Adjust T2 (a) until the voltage is less than 1 mV.
8. Adjust T2 (b) until the distortion meter is less than 0.3%.

TRACKING

1. Set the input level to 12.2~14.2 dBf (1.12~1.41 μ V).
2. Connect the output of signal generator to 75 ohm antenna terminal through a matching dummy and set the frequency to 98.00 MHz.
3. Connect the ACVM to TAPE OUT jacks.
4. Adjust ANT-L and RF1-L (Front-end) until the ACVM is maximum.

MUTING LEVEL

1. Connect the output of signal generator to 75 ohm antenna terminal through a matching dummy and set the frequency to 98.00 MHz.
2. Connect the DC digital volt meter to the test point TP4.
3. Set the input level to 33.2 dBf (12.5 μ V).
4. Adjust SVR2 until the voltage changes 12 V from 0 V at the test point TP4.

SIGNAL LEVEL

1. Set the input level to 65.2 dBf (500 μ V).
2. Connect the output of signal generator to 75 ohm antenna terminal through a matching dummy and set the frequency to 98.00 MHz.
3. Adjust SVR60 until the SIGNAL indicators fully light up.

SEPARATION

1. Connect the output of signal generator to 75 ohm antenna terminal through a matching dummy and set the frequency to 98.00 MHz in separate R ch or L ch.
2. Connect the ACVM to TAPE OUT jacks.
3. Adjust SVR51 until both channels have maximum but equal separation.

FM A.C.C.D SWITCHING LEVEL

1. Set the input level to 55.2 dBf (158 μ V).
2. Connect the DC digital volt meter to the test point TP101.
3. Adjust SVR101 the moment the voltage at TP101 change from +8 V to -8 V. Rotate SVR101 slowly. Perform this adjustment after MUTING LEVEL adjustment.

FM A.C.C.D SEPARATION

1. Set the input level to 37.5 dBf (75 μ V).
2. Set generator Mod. 6.3 kHz, 49.5 kHz +6.75 kHz dev.
3. L ch only driven.
4. Connect the ACVM to TAPE OUT jacks.
5. A.C.C.D switch on.
6. Adjust SVR117 to 8 dB separation.

ALIGNMENT POINTS

TIM-812A Tuner P.C.Board

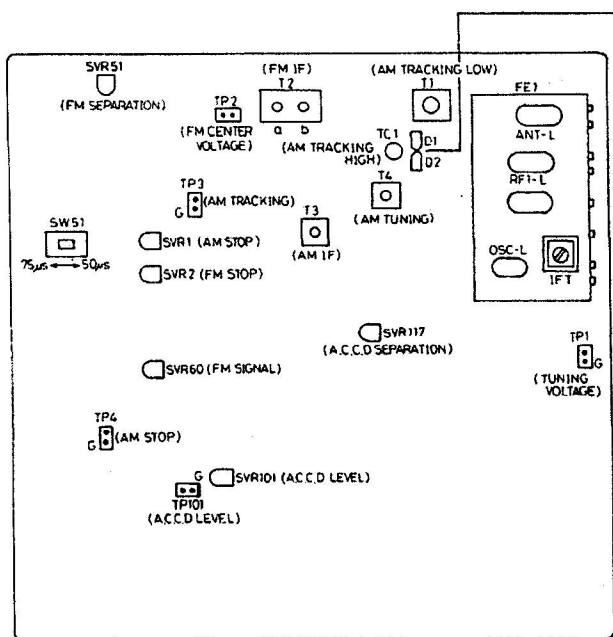


Fig.1

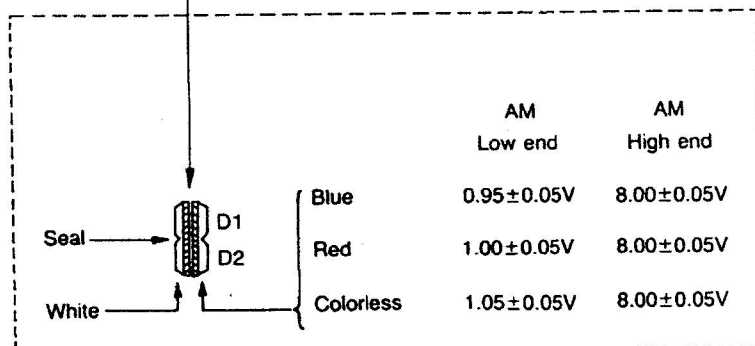


Fig.2

FL-828B Display & DTS P.C.Board

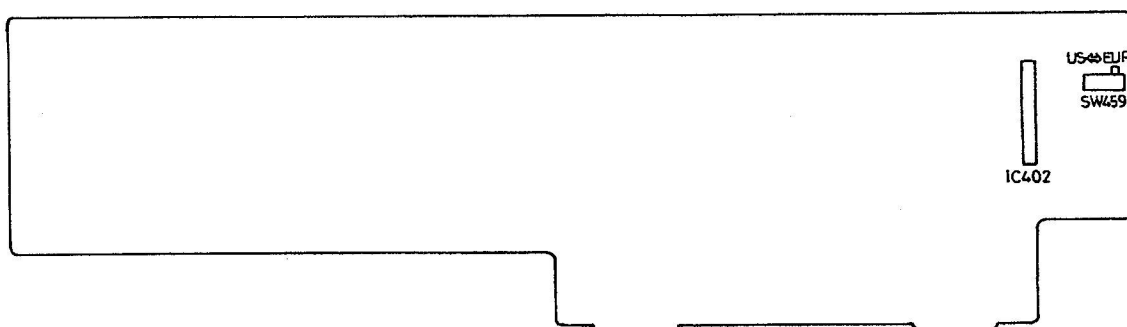


Fig.3

Amplifier

Condition

Surround mode : DOLBY PROLOGIC

VCA

1. Apply a 1 kHz 200 mV signal equally to the left and right of AUX input terminal, CT-17.
2. Shorting jumper across pin 1 and pin 2 of the test point TP201.
3. Connect the ACVM to the PREOUT left and right jacks.
4. Set the VOLUME control to the suitable position.
5. Adjust SVR204 until the output is minimum at L and R.

DC OFFSET

1. Apply a 1 kHz 200 mV signal equally to the left and right of AUX input terminal, CT-17.
2. Shorting jumper across pin 1 and pin 2 of the test point TP201.
3. Connect the DC digital volt meter between shorting jumper (tentative GND) and pin 3 of the test point TP201.
4. Adjust SVR203 for minimum DC offset.

DOLBY LEVEL

"Use Pro-Logic Test Input Circuit in Fig.6."

1. Apply a 1 kHz 350 mV to the Pro-Logic Test Input Circuit and set the surround position (position 4).
2. Connect the output of Pro-Logic Test Input Circuit to the AUX input terminal, CT-17.
3. Connect the ACVM to the test point TP202 (R294).
4. Adjust SVR202 to 71 mV \pm 1 dB.

CALIBRATE TONE LEVEL

1. CALIBRATE TONE switch : ON position.
2. Connect the ACVM to the test point TP203.
3. Adjust SVR201 to 77.5 mV \pm 2 dB.

ALIGNMENT POINTS

MS-827B Micon Surround P.C.Board

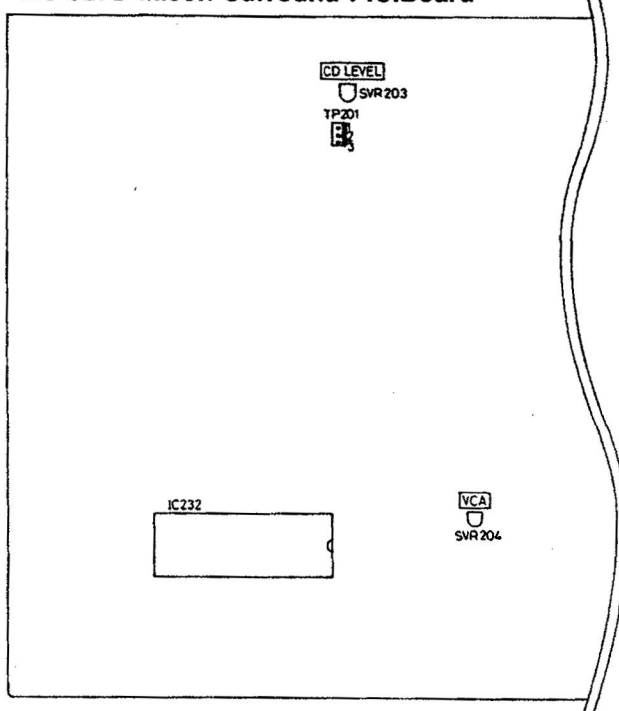


Fig.4

VDN-829A Video P.C.Board

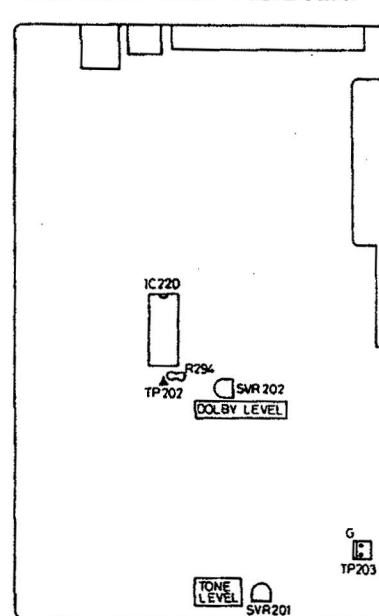


Fig.5

Dolby Pro-Logic Test Input Circuit

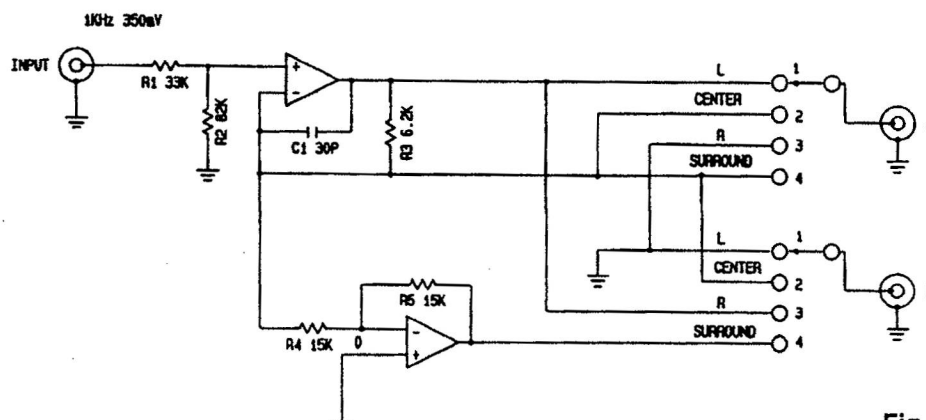
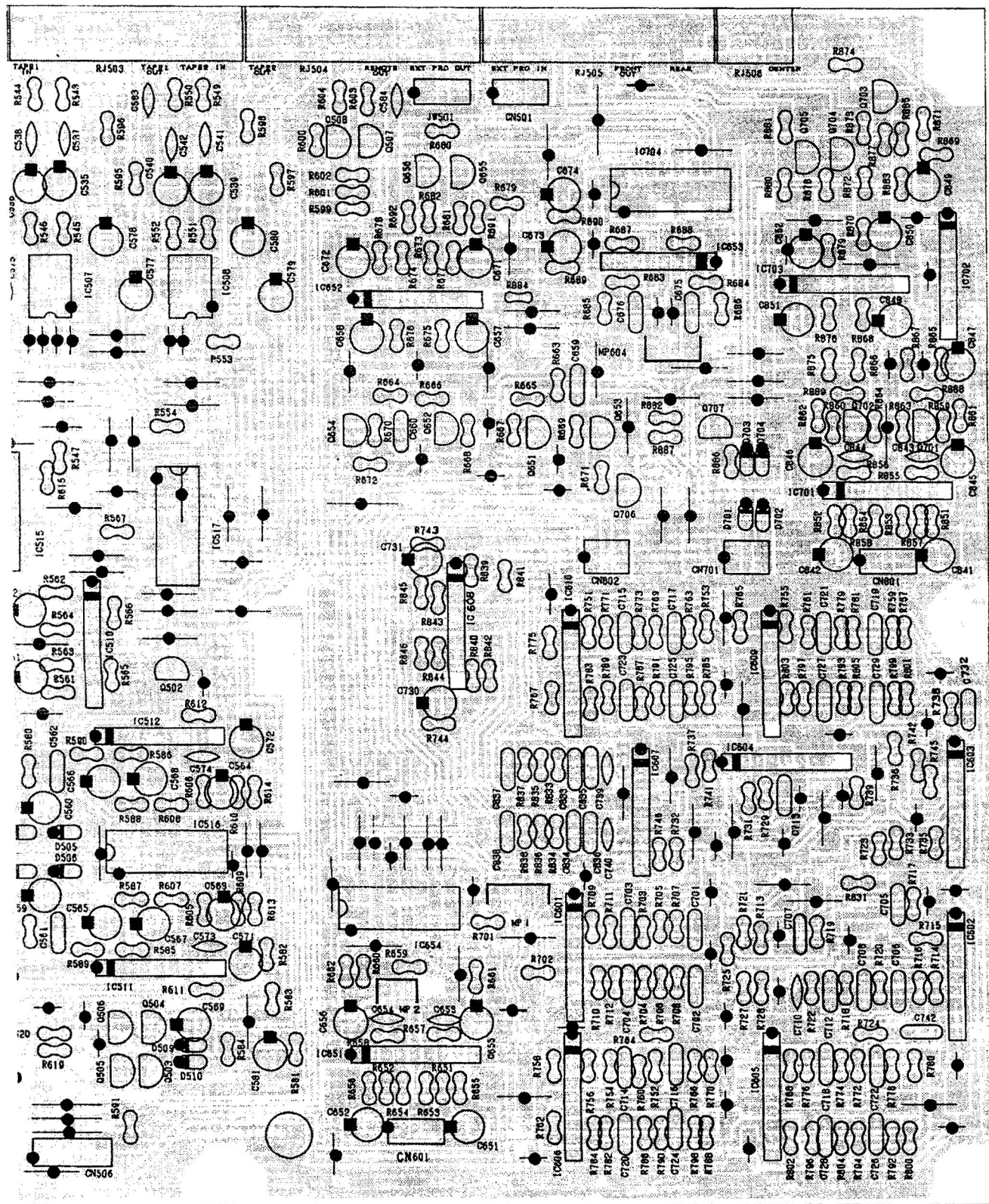


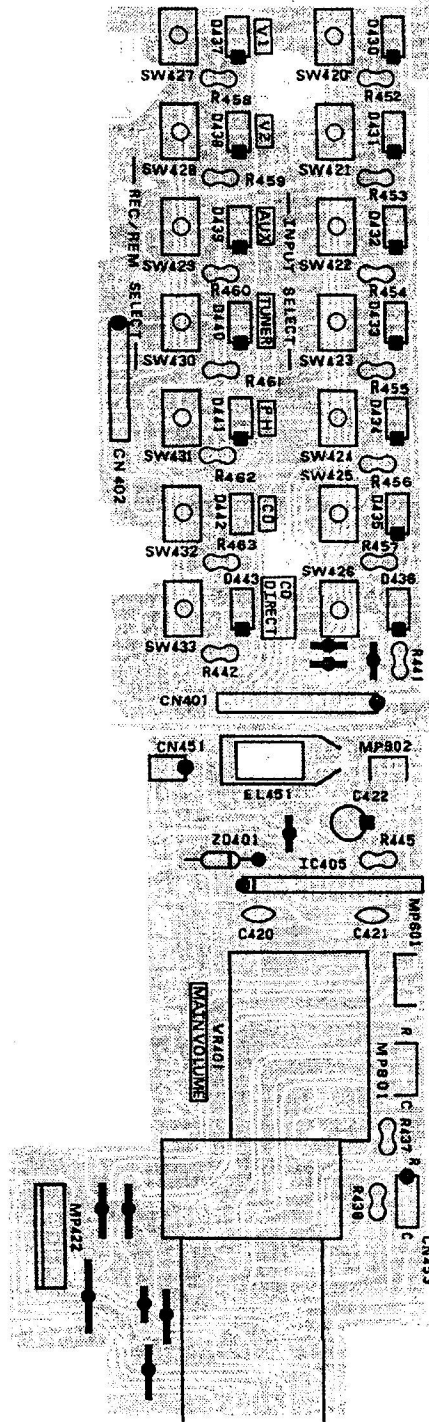
Fig.6

ard

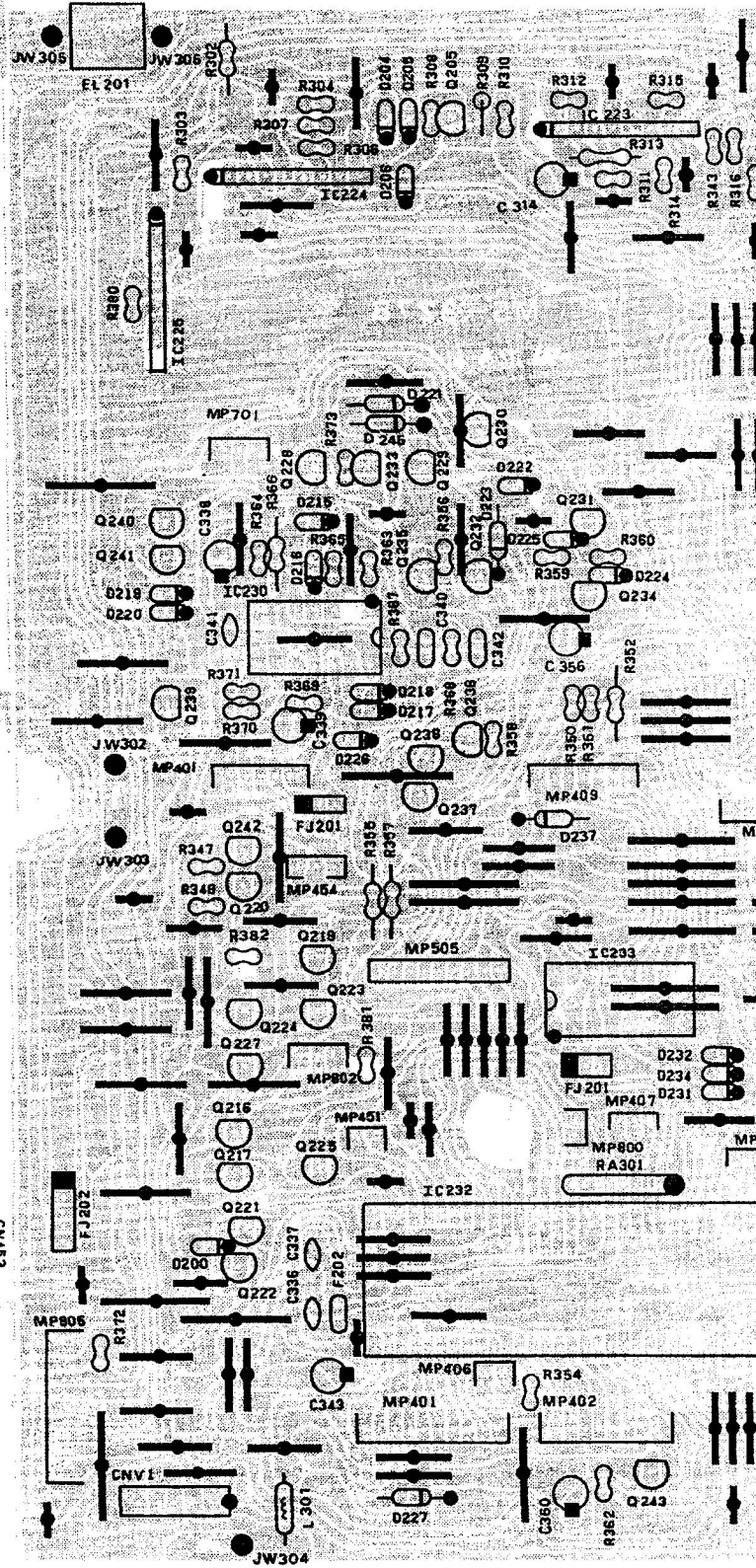


FSW-827B Front Switch P.C.Board

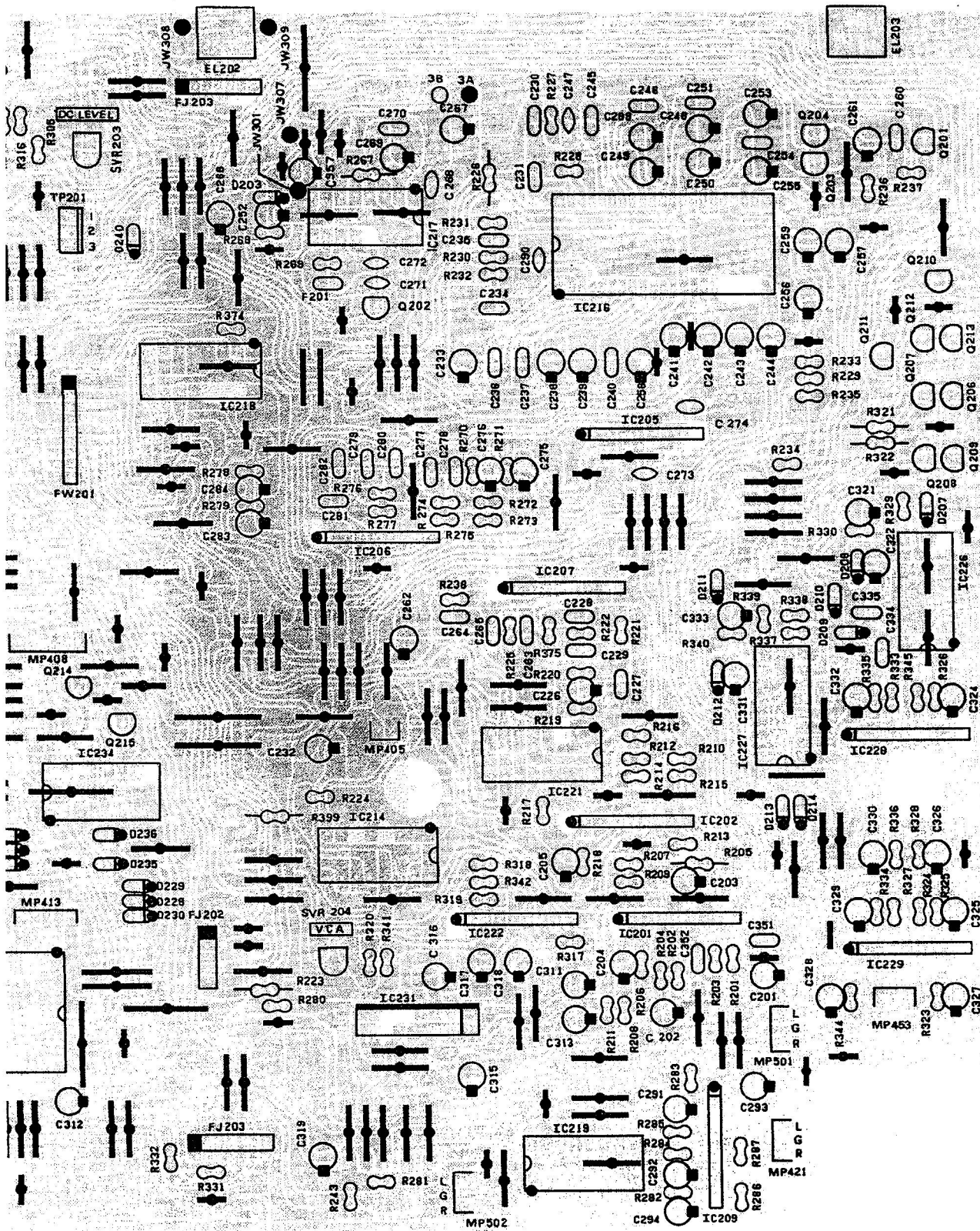
MS-827B Micon Surround P.C.Board



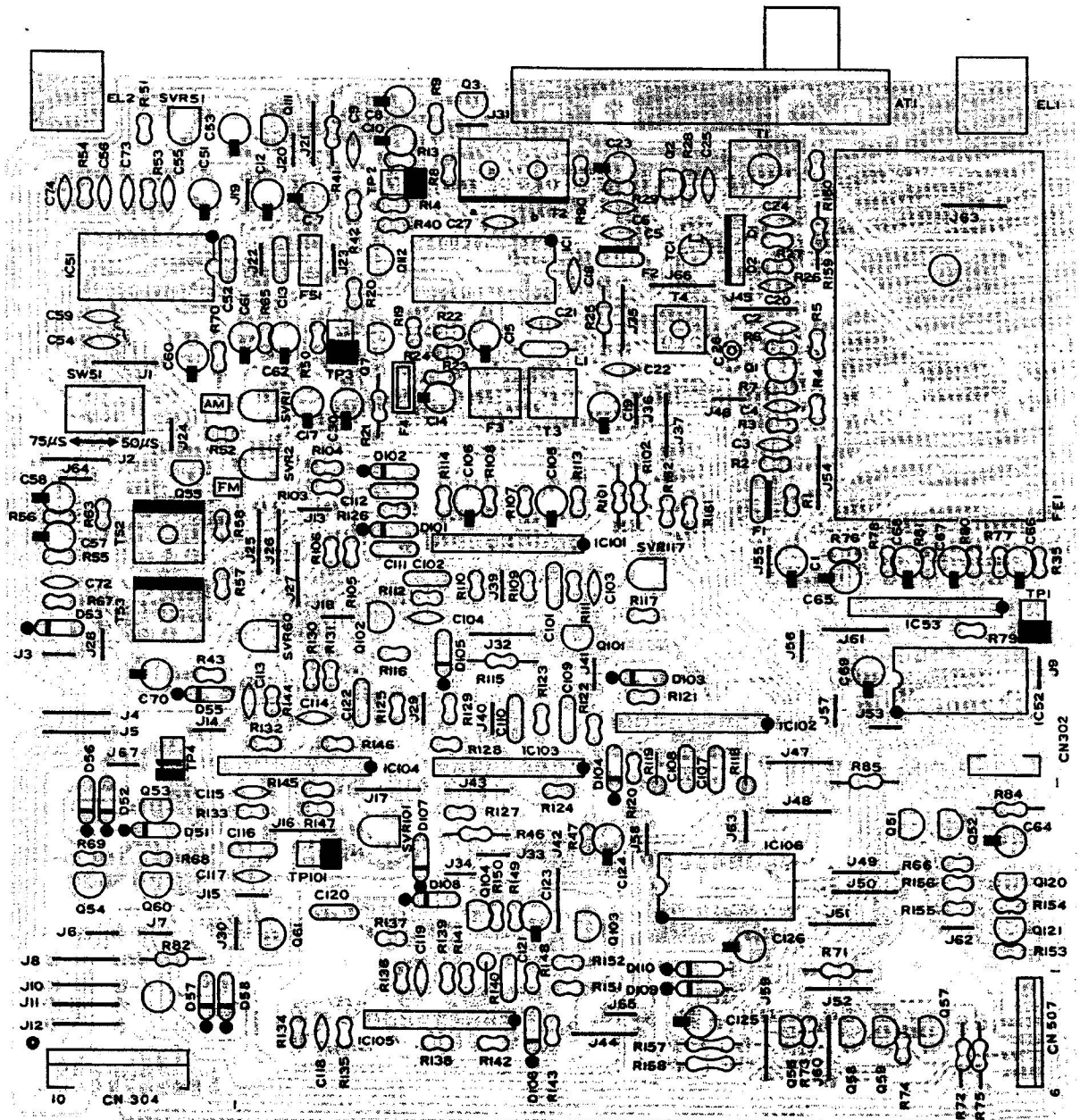
MVR-827B Motor Volume P.C.Board



C.Board



TIM-812A Tuner P.C.Board



VOLTAGE CONVERSION (EX Version only)

220 V/50 Hz Version

Bill of Materials

Q'ty	Part No.	Description
1	315-15005-00	FUSE 250 V 315 mA
1	530-10128-00	FUSE LABEL 250 V 315 mA
1	530-10088-00	LABEL 220 V AC 50 HZ
1	530-10130-00	LABEL VOLTAGE CONVERSION
1	530-10013-00	LABEL MILITARY CONVERSION

Direction for Change

1. Locate Power Supply P.C.Board on the left of front panel side.
(See Fig.7 and Fig.8.).
 - A. Set slide switches SW900 and SW901 to 220 V.
 - B. Change fuse FU900 from 250 V 500 mA to 315-15005-00 (250 V 315 mA).
 - C. Put the label 530-10128-00 (250 V 315 mA) on printed in 250 V/500 mA.

PS-829A Power Supply P.C.Board

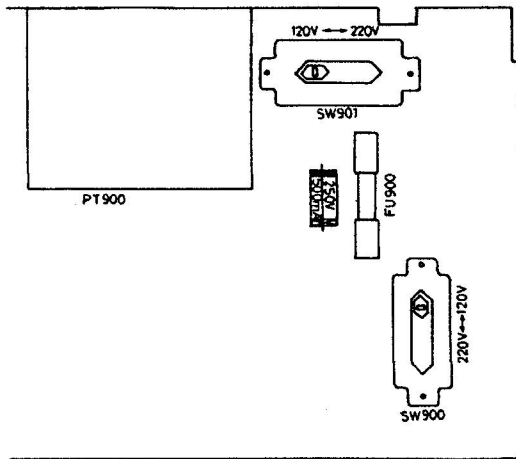


Fig.7

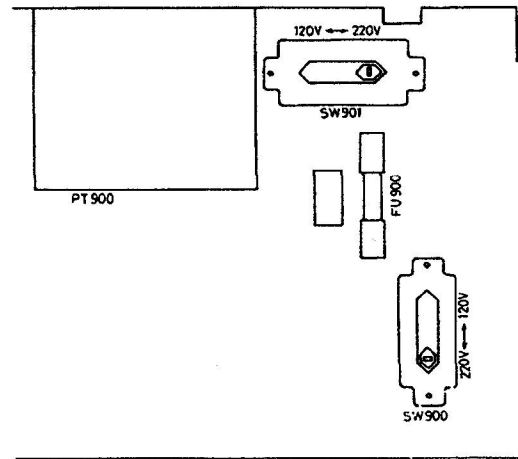


Fig.8

2. Locate CH.STEP SW459 on Display & DTS P.C.Board and set it to "EUR" for 220 V Europe frequency stepping. (See Fig.9)
3. Locate de-emphasis switch SW51 on Tuner P.C.Board and set it to "50 μ s" for 220 V Europe de-emphasis. (See Fig.10)
4. Apply label 530-10088-00 (220 V AC 50 Hz) in place of existing label 120 V AC 60 Hz.
5. Using spray adhesive, mount label 530-10130-00 (VOLTAGE CONVERSION) to inside top cover.
6. Apply label 530-10013-00 (MILITARY CONVERSION) to bottom of unit.

FL-828B Display & DTS P.C.Board

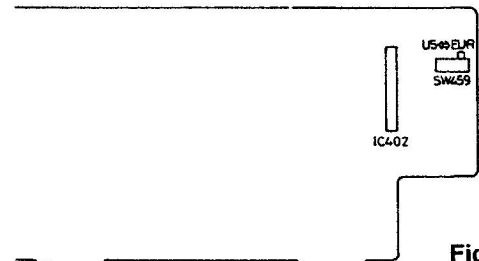


Fig.9

TIM-812A Tuner P.C.Board

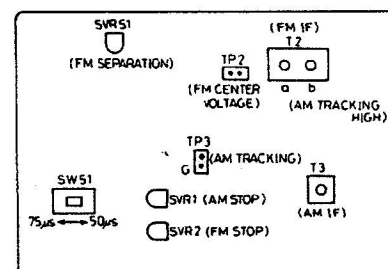
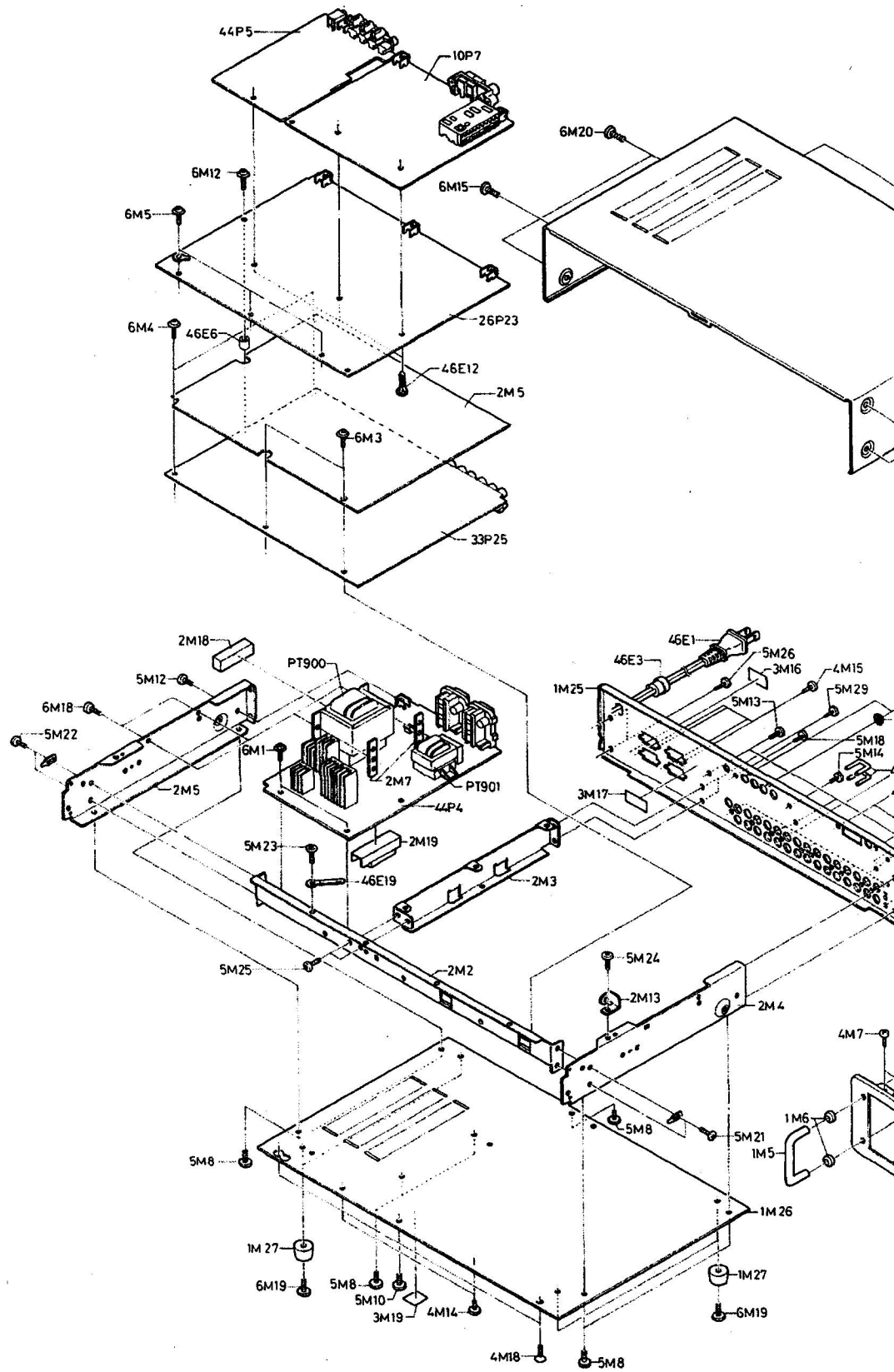


Fig.10

EXPLODED VIEWS

Main Unit and Packing



PARTS LIST

TUNER P.C. BOARD

REF. NO.	Q'TY	CARVER PART NO.	DESCRIPTION
P.C. BOARD			
19E 7	1	TIM-812A	PRINTED CIRCUIT BOARD
SEMICONDUCTORS			
3001-002	2	KV1236Z-Z1	DIODE
3051-043,	15	155176	DIODE
055-059, 101-113 0109-116	2	ZD50-090	ZENER DIODE, 1/2W, 7.0V
3001	1	25C2668-0-Y	TRANSISTOR
3002	1	25K181-Y-GR	TRANSISTOR
3003	1	KN-2204	TRANSISTOR
3007	1	25C1815-Y-GR	TRANSISTOR
3051	1	KN-2204	TRANSISTOR
3052	1	25C1815-Y-GR	TRANSISTOR
3053-055	3	KN-1204	TRANSISTOR
3056	1	25A966-0-Y	TRANSISTOR
3057	1	25C1815-Y-GR	TRANSISTOR
3058	1	KN-2204	TRANSISTOR
3059	1	25C1815-Y-GR	TRANSISTOR
3060-061	2	KN-1204	TRANSISTOR
3101-103	3	25C1815-GR	TRANSISTOR
3104	1	25A1015-GR	TRANSISTOR
3111	1	KN-1204	TRANSISTOR
3112	1	25K246-Y-GR	TRANSISTOR
3120-121	2	25C2078-A-B	TRANSISTOR
IC001	1	L41265	IC
IC051	1	L43401	IC
IC052	1	TC9172AP	IC
IC053	1	NJN2904S	IC
IC101-105	5	NJN4565SB	IC
IC106	1	TC9215P	IC
CAPACITORS			
C001	1	45-16T401M	ELECTROLYTIC CAPACITOR
C002-006	5	HE905JYF223Z	CERAMIC CAPACITOR
C007	1	45-16T421M	ELECTROLYTIC CAPACITOR
C008	1	NS-50TWR10M	ELECTROLYTIC CAPACITOR
C009	1	HE405JSL350K	CERAMIC CAPACITOR
C010	1	NS-50TWR10M	ELECTROLYTIC CAPACITOR
C012	1	NS-50TWR22M	ELECTROLYTIC CAPACITOR
C013	1	MY-50VU102J	MYLAR CAPACITOR
C014-015	2	NS-16T4100M	ELECTROLYTIC CAPACITOR
C017	1	NS-50TWR10M	ELECTROLYTIC CAPACITOR
C018	1	HE905JYF223Z	CERAMIC CAPACITOR
C019	1	NS-16T4100M	ELECTROLYTIC CAPACITOR
C020	1	HE405JSL1000	CERAMIC CAPACITOR
C021-022	2	HE905JYF223Z	CERAMIC CAPACITOR
C023	1	NS-25TWR47M	ELECTROLYTIC CAPACITOR
C024	1	HE905JYF223Z	CERAMIC CAPACITOR
C025	1	HE405JSL110K	CERAMIC CAPACITOR
C026	1	ST-50V5451J	STYROL CAPACITOR
C027	1	HE905JYF223Z	CERAMIC CAPACITOR
C030	1	NS-50TWR10M	ELECTROLYTIC CAPACITOR
C031	1	NS-16T470M	ELECTROLYTIC CAPACITOR
C032	1	MY-50VU473J	MYLAR CAPACITOR
C033	1	NS-16T4100M	ELECTROLYTIC CAPACITOR
C034	1	HE905JYF223Z	CERAMIC CAPACITOR
C035-036	2	MY-50VU102J	MYLAR CAPACITOR
C037-038	2	NS-16T4100M	ELECTROLYTIC CAPACITOR
C039	1	HE905JYF223Z	CERAMIC CAPACITOR
C040	1	NS-25TWR47M	ELECTROLYTIC CAPACITOR
C041	1	NS-50TWR22M	ELECTROLYTIC CAPACITOR
C042-044	2	NS-50TWR10M	ELECTROLYTIC CAPACITOR
C045	1	NS-16T4101M	ELECTROLYTIC CAPACITOR
C046	1	LL-50TWR10M	LOW LEAK, ELECTROLYTIC CAP.
C047	1	LL-50TWR47M	LOW LEAK, ELECTROLYTIC CAP.
C048	1	NS-16T4100M	ELECTROLYTIC CAPACITOR
C049	1	NS-16T470M	ELECTROLYTIC CAPACITOR
C070	1	NS-25TWR47M	ELECTROLYTIC CAPACITOR
C072	1	HE405JY9471K	CERAMIC CAPACITOR
C101-102	2	MY-50VU502J	MYLAR CAPACITOR
C103-104	2	HE905JSL101K	CERAMIC CAPACITOR
C105-106	2	NS-25TWR47M	ELECTROLYTIC CAPACITOR
C107	1	MY-50VU103J	MYLAR CAPACITOR
C108	1	MY-50VU223J	MYLAR CAPACITOR
C109-112	4	MY-50VU104J	MYLAR CAPACITOR
C113	1	HE905JSL361J	CERAMIC CAPACITOR
C114	1	HE405JSL600K	CERAMIC CAPACITOR
C115	1	HE405JSL470K	CERAMIC CAPACITOR
C116	1	MY-50VU102J	MYLAR CAPACITOR
C117	1	HE905JSL591J	CERAMIC CAPACITOR
C118	1	HE405JSL600K	CERAMIC CAPACITOR
C119	1	HE405JSL350K	CERAMIC CAPACITOR
C120	1	MY-50VU382J	MYLAR CAPACITOR
C121-122	2	MY-50VU104J	MYLAR CAPACITOR
C123	1	NS-50TWR10M	ELECTROLYTIC CAPACITOR
C124	1	NS-16T4100M	ELECTROLYTIC CAPACITOR
C125-126	2	NS-16T4101M	ELECTROLYTIC CAPACITOR
TC001	1	CT251C135	TRIMMER CAPACITOR
RESISTORS			
R001	1	K4165T330J	CARBON RESISTOR
R002	1	K4165T361J	CARBON RESISTOR
R003	1	K4165T103J	CARBON RESISTOR
R004	1	K4165T133J	CARBON RESISTOR
R005	1	K4165T151J	CARBON RESISTOR
R006	1	K4165T331J	CARBON RESISTOR
R007	1	K4165T102J	CARBON RESISTOR
R008	1	K4165T103J	CARBON RESISTOR
R009	1	K4165T101J	CARBON RESISTOR
R010	1	K4165T331J	CARBON RESISTOR
R014	1	K4165T273J	CARBON RESISTOR
R019	1	K4165T820J	CARBON RESISTOR
R020	1	K4165T102J	CARBON RESISTOR
R021	1	K4165T474J	CARBON RESISTOR
R022	1	K4165T152J	CARBON RESISTOR
R023	1	K4165T203J	CARBON RESISTOR
R024	1	K4165T512J	CARBON RESISTOR

REF. NO.	Q'TY	CARVER PART NO.	DESCRIPTION
R025	1	K4165T221J	CARBON RESISTOR
R026-027	2	K4165T104J	CARBON RESISTOR
R028	1	K4165T102J	CARBON RESISTOR
R029	1	K4165T603J	CARBON RESISTOR
R035	1	K4165T332J	CARBON RESISTOR
R040	1	K4165T103J	CARBON RESISTOR
R041	1	K4165T473J	CARBON RESISTOR
R042	1	K4165T105J	CARBON RESISTOR
R043	1	K4165T473J	CARBON RESISTOR
R046	1	K4165T123J	CARBON RESISTOR
R047	1	K4165T223J	CARBON RESISTOR
R050	1	K4165T123J	CARBON RESISTOR
R051	1	K4165T223J	CARBON RESISTOR
R052	1	K4165T473J	CARBON RESISTOR
R053-054	2	K4165T753J	CARBON RESISTOR
R055-056	2	K4165T332J	CARBON RESISTOR
R057-058	2	K4165T203J	CARBON RESISTOR
R063	1	K4165T602J	CARBON RESISTOR
R065	1	K4165T562J	CARBON RESISTOR
R066	1	K4165T104J	CARBON RESISTOR
R067	1	K4165T473J	CARBON RESISTOR
R068-069	2	K4165T105J	CARBON RESISTOR
R070	1	K4165T104J	CARBON RESISTOR
R071	1	K4165T151J	CARBON RESISTOR
R072	1	K4165T103J	CARBON RESISTOR
R073	1	K4165T104J	CARBON RESISTOR
R074-075	2	K4165T103J	CARBON RESISTOR
R076	1	K4165T221J	CARBON RESISTOR
R077	1	K4165T331J	CARBON RESISTOR
R078	1	K4165T124J	CARBON RESISTOR
R079	1	K4165T473J	CARBON RESISTOR
R080	1	K4165T322J	CARBON RESISTOR
R081	1	K4165T183J	CARBON RESISTOR
R082	1	K4165T103J	CARBON RESISTOR
R084	1	K4165T121J	CARBON RESISTOR
R085	1	K4165T223J	CARBON RESISTOR
R090	1	K4165T332J	CARBON RESISTOR
R101-102	2	K4165T513J	CARBON RESISTOR
R103-104	2	K4165T603J	CARBON RESISTOR
R105-106	2	K4165T105J	CARBON RESISTOR
R107-108	2	K4165T433J	CARBON RESISTOR
R109-110	2	K4165T622J	CARBON RESISTOR
R111-112	2	K4165T332J	CARBON RESISTOR
R113-114	2	K4165T104J	CARBON RESISTOR
R115-116	2	K4165T204J	CARBON RESISTOR
R117	1	K4165T333J	CARBON RESISTOR
R118-119	2	K42555106J	CARBON RESISTOR
R120	1	K4165T113J	CARBON RESISTOR
R121	1	K4165T184J	CARBON RESISTOR
R122	1	K4165T153J	CARBON RESISTOR
R123	1	K4165T154J	CARBON RESISTOR
R124	1	K4165T333J	CARBON RESISTOR
R125-126	2	K4165T105J	CARBON RESISTOR
R127-128	2	K4165T472J	CARBON RESISTOR
R129	1	K4165T103J	CARBON RESISTOR
R130	1	K4165T512J	CARBON RESISTOR
R131	1	K4165T513J	CARBON RESISTOR
R132	1	K4165T433J	CARBON RESISTOR
R133	1	K4165T152J	CARBON RESISTOR
R134	1	K4165T512J	CARBON RESISTOR
R135	1	K4165T513J	CARBON RESISTOR
R136	1	K4165T273J	CARBON RESISTOR
R137	1	K4165T152J	CARBON RESISTOR
R138	1	K4165T132J	CARBON RESISTOR
R139	1	K4165T105J	CARBON RESISTOR
R140	1	K42555475J	CARBON RESISTOR
R141	1	K4165T104J	CARBON RESISTOR
R142	1	K4165T235J	CARBON RESISTOR
R143	1	K4165T621J	CARBON RESISTOR
R144	1	K4165T514J	CARBON RESISTOR
R145	1	K4165T224J	CARBON RESISTOR
R146	1	K4165T222J	CARBON RESISTOR
R147	1	K4165T472J	CARBON RESISTOR
R148	1	K4165T514J	CARBON RESISTOR
R149	1	K4165T394J	CARBON RESISTOR
R150	1	K4165T394J	CARBON RESISTOR
R151	1	K4165T303J	CARBON RESISTOR
R152	1	K4165T102J	CARBON RESISTOR
R153-154	2	K4165T333J	CARBON RESISTOR
R155-156	2	K4165T103J	CARBON RESISTOR
R157-158	2	K4255T181J	CARBON RESISTOR
R159	1	K4165T912J	CARBON RESISTOR
R160	1	K4165T632J	CARBON RESISTOR
R161-162	2	K4165T102J	CARBON RESISTOR
SVR001-002	2	SVR-06T3803	SEMI-VARIABLE RESISTOR
SVR051	1	SVR-06T38104	SEMI-VARIABLE RESISTOR
SVR060	1	SVR-06T38264	SEMI-VARIABLE RESISTOR
SVR101	1	SVR-06T38103	SEMI-VARIABLE RESISTOR
SVR117	1	SVR-06T38104	SEMI-VARIABLE RESISTOR
COILS			
L001	1	LAL03102K	INDUCTOR
T001	1	126044	4W ANT COIL
T002	1	141037	FM DET COIL
T003	1	140053	4W IFT
T004	1	135023	4W OSC COIL
T052-053	2	104013	FILTER BLUCK
MISCELLANEOUS			
F001-002	2	SF610-7M21K-A	CERAMIC FILTER
F003	1	SFP459F	CERAMIC FILTER
F004	1	SFU450C4W	CERAMIC FILTER
F051	1	C56455F11	CERAMIC FILTER
AT001	1	YK031-6319	ANT. TERMINAL
C4302	1	P125C-04M	MICRO PLUG
C4304	1	P125C-08M	MICRO PLUG
C4307	1	171825-6	MICRO PLUG

REF. NO.	QTY	CARVER PART NO.	DESCRIPTION
EL001-002	2	M1699	GND LUG
FE001	1	FE477-A16	FH FRONTEND
TP001-004-101	5	MSA-1066-02A	MINI TERMINAL PLATE
17E 4	1	3E-T05-05	JUMP WIRE
10E10	34	E05C	JUMP WIRE
17E11	33	E10C	JUMP WIRE

FUNCTION 4 EC P.C. BOARD

REF. NO.	QTY	CARVER PART NO.	DESCRIPTION
P.C. BOARD			
33E25	1	FEU-826A	PRINTED CIRCUIT BOARD
SEMICONDUCTORS			
0501-510	10	6MA01	DIODE
0701-704	4	15S176	DIODE
4501-504	4	RN-1207	TRANSISTOR
4505-506	2	RN-2207	TRANSISTOR
4507-508	13	25C2978-A+B	TRANSISTOR
451-656			
701-705			
706-707	2	RN-2207	TRANSISTOR
IC501-502	2	UPC45704A	IC
IC503-508	6	NJM4555DB	IC
IC509-512	4	NJM4555B	IC
IC513	1	TC9103N	IC
IC514	1	TC9104N	IC
IC515	1	TC9214P	IC
IC516	1	TC9153AP	IC
IC517	1	TC9215P	IC
IC518	1	TC4015BP	IC
IC601-610	11	UPC45704A	IC
651			
IC652	1	NJM4555B	IC
IC653	1	H9210L	IC
IC654	1	TC9215P	IC
IC701-703	3	NJM4555B	IC
IC704	1	TC9215P	IC
CAPACITORS			
C501-502	2	LL-16TW100M	LOW LEAK. ELECTROLYTIC CAP.
C503-504	2	HE405JY3101K	CERAMIC CAPACITOR
C505-506	4	MY-50VU473J	MYLAR CAPACITOR
C509-510	2	NS-10TW221M	ELECTROLYTIC CAPACITOR
C511-512	2	HE405JY3101K	CERAMIC CAPACITOR
C513-514	2	MY-50VU182J	MYLAR CAPACITOR
C515-516	2	MY-50VU562J	MYLAR CAPACITOR
C517-518	2	LL-16TW220M	LOW LEAK. ELECTROLYTIC CAP.
C519-520	2	NS-25TW4R7M	ELECTROLYTIC CAPACITOR
C521-522	2	HE405JY8471K	CERAMIC CAPACITOR
C523-524	2	NS-25TW4R7M	ELECTROLYTIC CAPACITOR
C525-526	2	HE405JY8471K	CERAMIC CAPACITOR
C527-528	2	NS-25TW4R7M	ELECTROLYTIC CAPACITOR
C529-530	2	HE405JY3471K	CERAMIC CAPACITOR
C531-532	2	NS-25TW4R7M	ELECTROLYTIC CAPACITOR
C533-534	2	HE405JY8471K	CERAMIC CAPACITOR
C535-536	2	NS-25TW4R7M	ELECTROLYTIC CAPACITOR
C537-538	2	HE405JY3471K	CERAMIC CAPACITOR
C539-540	2	NS-25TW4R7M	ELECTROLYTIC CAPACITOR
C541-542	2	HE405JY8471K	CERAMIC CAPACITOR
C543-544	4	MY-50VU104J	MYLAR CAPACITOR
C547-552	6	NS-25TW4R7M	ELECTROLYTIC CAPACITOR
C553	1	MY-50VU104J	MYLAR CAPACITOR
C554	1	NS-50TW3R3M	ELECTROLYTIC CAPACITOR
C555-556	2	MY-50VU104J	MYLAR CAPACITOR
C557	1	NS-50TW150M	ELECTROLYTIC CAPACITOR
C559-560	2	NS-25TW4R7M	ELECTROLYTIC CAPACITOR
C561-562	2	MY-50VU104J	MYLAR CAPACITOR
C563-566	4	NS-25TW4R7M	ELECTROLYTIC CAPACITOR
C567-568	2	NS-25TW220M	ELECTROLYTIC CAPACITOR
C569	1	NS-50TW150M	ELECTROLYTIC CAPACITOR
C571-572	2	NS-25TW220M	ELECTROLYTIC CAPACITOR
C573-574	2	HE405JY3101K	CERAMIC CAPACITOR
C575-582	6	NS-25TW100M	ELECTROLYTIC CAPACITOR
C583	1	NS-25TW4R7M	ELECTROLYTIC CAPACITOR
C582	1	HE405JY3471K	CERAMIC CAPACITOR
C583-594	2	HC195JZF473J	CERAMIC CAPACITOR
C586	1	HE405JY8471K	CERAMIC CAPACITOR
C581-552	2	NS-25TW4R7M	ELECTROLYTIC CAPACITOR
C593-654	2	HE305JSL101K	CERAMIC CAPACITOR
C655-656	2	NS-25TW220M	ELECTROLYTIC CAPACITOR
C657-658	2	NS-25TW4R7M	ELECTROLYTIC CAPACITOR
C659-660	2	MY-50VU332J	MYLAR CAPACITOR
C671-672	2	NS-25TW4R7M	ELECTROLYTIC CAPACITOR
C673-674	2	NS-25TW4R7M	ELECTROLYTIC CAPACITOR
C675-676	2	MY-50VU221J	MYLAR CAPACITOR
C701-702	2	MY-50VU332J	MYLAR CAPACITOR
C703-704	2	MY-50VU473J	MYLAR CAPACITOR
C705	1	MY-50VU523J	MYLAR CAPACITOR
C706	1	MY-50VU272J	MYLAR CAPACITOR
C707	1	MY-50VU562J	MYLAR CAPACITOR
C709	1	MY-50VU122J	MYLAR CAPACITOR
C710	1	HE405JY9681K	CERAMIC CAPACITOR
C712	1	MY-50VU122J	MYLAR CAPACITOR
C713	1	MY-50VU562J	MYLAR CAPACITOR
C714-729	16	MY-50VU104J	MYLAR CAPACITOR
C730-731	2	LL-25TW4R7M	LOW LEAK. ELECTROLYTIC CAP.
C732	1	MY-50VU663J	MYLAR CAPACITOR
C739-740	2	HE405JY9221K	CERAMIC CAPACITOR
C742	1	EC2VH124JZ	METALLIZED FILM CAPACITOR
C933-836	4	MY-50VU182J	MYLAR CAPACITOR
C837-838	2	MY-50VU222J	MYLAR CAPACITOR
C841-842	2	NS-25TW4R7M	ELECTROLYTIC CAPACITOR
C843-844	2	HE305JSL101K	CERAMIC CAPACITOR
C845-846	2	NS-25TW220M	ELECTROLYTIC CAPACITOR
C847-852	6	NS-25TW4R7M	ELECTROLYTIC CAPACITOR

REF. NO.	QTY	CARVER PART NO.	DESCRIPTION
RESISTORS			
R501-502	2	KAI65T473J	CARBON RESISTOR
R503-504	2	KAI65T751J	CARBON RESISTOR
R505-506	2	KAI65T392J	CARBON RESISTOR
R507-508	2	KAI65T514J	CARBON RESISTOR
R509-510	2	KAI65T391J	CARBON RESISTOR
R511-512	2	KAI65T513J	CARBON RESISTOR
R513-514	2	KAI65T104J	CARBON RESISTOR
R515-516	2	KAI65T334J	CARBON RESISTOR
R517-518	2	KAI55T223J	CARBON RESISTOR
R519-520	2	KAI65T226J	CARBON RESISTOR
R521-524	4	KAI65T104J	CARBON RESISTOR
R525-526	2	KAI65T561J	CARBON RESISTOR
R527-532	4	KAI55T104J	CARBON RESISTOR
R531-532	2	KAI65T561J	CARBON RESISTOR
R533-536	4	KAI55T104J	CARBON RESISTOR
R537-538	2	KAI65T561J	CARBON RESISTOR
R539-542	4	KAI65T194J	CARBON RESISTOR
R543-544	2	KAI65T561J	CARBON RESISTOR
R545-548	4	KAI65T104J	CARBON RESISTOR
R549-552	2	KAI65T561J	CARBON RESISTOR
R551-556	6	KAI55T124J	CARBON RESISTOR
R557-558	2	KAI65T471J	CARBON RESISTOR
R559-562	4	KAI65T224J	CARBON RESISTOR
R563-564	2	KAI65T471J	CARBON RESISTOR
R565-568	4	KAI65T104J	CARBON RESISTOR
R569	1	KAI65T474J	CARBON RESISTOR
R570	1	KAI65T473J	CARBON RESISTOR
R571	1	KAI65T194J	CARBON RESISTOR
R572	1	KAI65T223J	CARBON RESISTOR
R573-576	4	KAI65T104J	CARBON RESISTOR
R577-580	4	KAI65T103J	CARBON RESISTOR
R581	1	KAI65T104J	CARBON RESISTOR
R582	1	KAI65T331J	CARBON RESISTOR
R583	1	KAI65T271J	CARBON RESISTOR
R584	1	KAI65T273J	CARBON RESISTOR
R585-586	2	KAI65T471J	CARBON RESISTOR
R587-588	2	KAI65T473J	CARBON RESISTOR
R589-590	2	KAI65T224J	CARBON RESISTOR
R591	1	KAI55T105J	CARBON RESISTOR
R593-600	8	KAI65T192J	CARBON RESISTOR
R601-602	2	KAI65T103J	CARBON RESISTOR
R603-604	2	KAI65T102J	CARBON RESISTOR
R605-606	2	KAI65T471J	CARBON RESISTOR
R607-608	2	KAI65T473J	CARBON RESISTOR
R609-610	2	KAI65T122J	CARBON RESISTOR
R611-612	2	KAI65T193J	CARBON RESISTOR
R613-614	2	KAI65T153J	CARBON RESISTOR
R615	1	KAI65T194J	CARBON RESISTOR
R617-618	2	KAI65T271J	CARBON RESISTOR
R619-620	2	KAI65T103J	CARBON RESISTOR
R621-622	2	KAI65T271J	CARBON RESISTOR
R624-625	2	KAI65T561J	CARBON RESISTOR
R621-622	2	KAI65T471J	CARBON RESISTOR
R633-634	2	KAI65T224J	CARBON RESISTOR
R635-636	2	KAI65T152J	CARBON RESISTOR
R637-638	2	KAI65T123J	CARBON RESISTOR
R639-640	2	KAI65T193J	CARBON RESISTOR
R641-642	2	KAI65T561J	CARBON RESISTOR
R643-644	2	KAI65T680J	CARBON RESISTOR
R645-646	2	KAI65T680J	CARBON RESISTOR
R647-648	2	KAI65T103J	CARBON RESISTOR
R649-670	2	KAI65T104J	CARBON RESISTOR
R671-672	2	KAI65T103J	CARBON RESISTOR
R673-674	2	KAI65T473J	CARBON RESISTOR
R675-676	2	KAI65T471J	CARBON RESISTOR
R677-678	2	KAI65T153J	CARBON RESISTOR
R679-680	2	KAI65T102J	CARBON RESISTOR
R681-682	2	KAI65T103J	CARBON RESISTOR
R683-684	2	KAI65T103J	CARBON RESISTOR
R685-686	2	KAI65T103J	CARBON RESISTOR
R687-688	2	KAI65T104J	CARBON RESISTOR
R689-690	2	KAI65T224J	CARBON RESISTOR
R691-692	2	KAI65T102J	CARBON RESISTOR
R693-694	2	KAI65T103J	CARBON RESISTOR
R695-696	2	KAI65T151J	CARBON RESISTOR
R697-698	2	KAI65T104J	CARBON RESISTOR
R699-700	2	KAI65T224J	CARBON RESISTOR
R701-702	2	KAI65T102J	CARBON RESISTOR
R703-704	2	KAI65T203J	CARBON RESISTOR
R705-706	2	KAI65T332J	CARBON RESISTOR
R707-708	2	KAI65T392J	CARBON RESISTOR
R709-710	2	KAI65T203J	CARBON RESISTOR
R711-712	2	KAI65T822J	CARBON RESISTOR
R713	1	KAI65T392J	CARBON RESISTOR
R714	1	KAI65T102J	CARBON RESISTOR
R715	1	KAI65T392J	CARBON RESISTOR
R716	1	KAI65T912J	CARBON RESISTOR
R717	1	KAI65T183J	CARBON RESISTOR
R718	1	KAI65T103J	CARBON RESISTOR
R719	1	KAI65T362J	CARBON RESISTOR
R720	1	KAI65T203J	CARBON RESISTOR
R721	1	KAI65T392J	CARBON RESISTOR
R722	1	KAI65T203J	CARBON RESISTOR
R723	1	KAI65T392J	CARBON RESISTOR
R724	1	KAI65T112J	CARBON RESISTOR
R725-727	3	KAI65T392J	CARBON RESISTOR
R728			
R729	1	KAI65T392J	CARBON RESISTOR
R731	1	KAI65T273J	CARBON RESISTOR
R732	1	KAI65T273J	CARBON RESISTOR
R733	1	KAI65T392J	CARBON RESISTOR
R734	1	KAI65T302J	CARBON RESISTOR
R735	1	KAI65T193J	CARBON RESISTOR
R736	1	KAI65T193J	CARBON RESISTOR
R737	1	KAI65T682J	CARBON RESISTOR
R738	1	KAI65T392J	CARBON RESISTOR
R739	1	KAI65T162J	CARBON RESISTOR
R741	1	KAI65T273J	CARBON RESISTOR
R742	1	KAI65T392J	CARBON RESISTOR
R743-744	2	KAI65T473J	CARBON RESISTOR
R745	1	KAI65T162J	CARBON RESISTOR
R746	1	KAI65T682J	CARBON RESISTOR
R747	1	KAI65T203J	CARBON RESISTOR
R748	1	KAI65T361J	CARBON RESISTOR
R749	1	KAI65T512J	CARBON RESISTOR
R750	1	KAI65T752J	CARBON RESISTOR
R751-756	2	KAI65T203J	CARBON RESISTOR

REF. NO.	QTY	CARVER PART NO.	DESCRIPTION
9757	1	K4165T512J	CARBON RESISTOR
9758+759	2	K4165T752J	CARBON RESISTOR
9764	1	K4165T122J	CARBON RESISTOR
9761	1	K4165T752J	CARBON RESISTOR
9762	1	K4165T103J	CARBON RESISTOR
9763	1	K4165T752J	CARBON RESISTOR
9764+765	2	K4165T103J	CARBON RESISTOR
9766	1	K4165T752J	CARBON RESISTOR
9767	1	K4165T103J	CARBON RESISTOR
9769	1	K4165T203J	CARBON RESISTOR
9770	1	K4165T361J	CARBON RESISTOR
9771	1	K4165T512J	CARBON RESISTOR
9772	1	K4165T752J	CARBON RESISTOR
9773+774	2	K4165T361J	CARBON RESISTOR
9775+776	3	K4165T122J	CARBON RESISTOR
9778	1	K4165T752J	CARBON RESISTOR
9779	1	K4165T122J	CARBON RESISTOR
9780	1	K4165T512J	CARBON RESISTOR
9781	1	K4165T361J	CARBON RESISTOR
9782	1	K4165T752J	CARBON RESISTOR
9783+784	2	K4165T203J	CARBON RESISTOR
9785	1	K4165T512J	CARBON RESISTOR
9786+787	2	K4165T122J	CARBON RESISTOR
9788	1	K4165T512J	CARBON RESISTOR
9789	1	K4165T752J	CARBON RESISTOR
9790+791	2	K4165T301J	CARBON RESISTOR
9792	1	K4165T752J	CARBON RESISTOR
9793	1	K4165T122J	CARBON RESISTOR
9794	1	K4165T361J	CARBON RESISTOR
9795+799	5	K4165T752J	CARBON RESISTOR
9800+801	2	K4165T512J	CARBON RESISTOR
9802+803	2	K4165T203J	CARBON RESISTOR
9804	1	K4165T122J	CARBON RESISTOR
9805	1	K4165T361J	CARBON RESISTOR
9831	1	K4165T102J	CARBON RESISTOR
9833+836	4	K4165T303J	CARBON RESISTOR
9837+838	2	K4165T133J	CARBON RESISTOR
9839+840	2	K4165T153J	CARBON RESISTOR
9841+842	2	K4165T102J	CARBON RESISTOR
9843+844	2	K4165T511J	CARBON RESISTOR
9845+846	2	K4165T561J	CARBON RESISTOR
9851+852	2	K4165T471J	CARBON RESISTOR
9853+854	2	K4165T22+J	CARBON RESISTOR
9855+856	2	K4165T223J	CARBON RESISTOR
9857+858	2	K4165T202J	CARBON RESISTOR
9859+860	2	K4165T155J	CARBON RESISTOR
9861+862	2	K4165T561J	CARBON RESISTOR
9863+864	2	K4165T103J	CARBON RESISTOR
9865+866	2	K4165T471J	CARBON RESISTOR
9867+868	2	K4165T104J	CARBON RESISTOR
9869+870	2	K4165T153J	CARBON RESISTOR
9871+874	4	K4165T102J	CARBON RESISTOR
9875	1	K4165T471J	CARBON RESISTOR
9876	1	K4165T104J	CARBON RESISTOR
9877+878	2	K4165T103J	CARBON RESISTOR
9879	1	K4165T153J	CARBON RESISTOR
9880+881	2	K4165T102J	CARBON RESISTOR
9882+883	4	K4165T105J	CARBON RESISTOR
9886	1	K4165T101J	CARBON RESISTOR
9887	1	K4165T105J	CARBON RESISTOR
9888+889	2	K4165T06J	CARBON RESISTOR
MISCELLANEOUS			
C4561	1	M203-809	MICRO SOCKET ASS'Y
C4562	1	M203-812	MICRO SOCKET ASS'Y
C4565	1	M209-516	MICRO SOCKET ASS'Y
C4566	1	M206-815	MICRO SOCKET ASS'Y
C4567	1	P206-932	MICRO SOCKET ASS'Y
C4568	1	M203-811A	MICRO SOCKET ASS'Y
C4569	1	M203-829	MICRO SOCKET ASS'Y
C4570	1	M203-810A	MICRO SOCKET ASS'Y
J4501	1	M203-963	MICRO SOCKET ASS'Y
M0001	1	175981-3	MICRO PLUG
M0002+474	2	175981-3	MICRO PLUG
M0001	1	175981-4	MICRO SOCKET ASS'Y
M0004	1	175981-4	MICRO PLUG
RJ501-505	5	YK221-3051	RCA JACK OP
RJ506	1	YK221-3043	RCA JACK IP
T0501+502	2	IMS410802Z211	MINI TERMINAL PLATE
30E24	85	E050	JUMP WIRE
30E26	10	E075	JUMP WIRE
30E27	100	E100	JUMP WIRE
30E28	10	E125	JUMP WIRE
30E29	17	E150	JUMP WIRE
30E30	9	E175	JUMP WIRE

AUDIO SWITCH P.C. BOARD

REF. NO.	QTY	CARVER PART NO.	DESCRIPTION
P.C. BOARD			
33E26	1	ASW-826A	PRINTED CIRCUIT BOARD
CAPACITORS			
C413+414	2	MY-50VU104J	NYLAR CAPACITOR
RESISTORS			
R453+454	2	K4165T133J	CARBON RESISTOR
V4402	1	V8609-154MKIK	ROTARY POTENTIOMETER
SWITCHES			
S441C	1	SW-1201269	PUSH SWITCH
S441I	1	SW-1401268	PUSH SWITCH

REF. NO.	QTY	CARVER PART NO.	DESCRIPTION
MISCELLANEOUS			
C4403	1	M205-818A	MICRO SOCKET ASS'Y
C4404	1	M203-817	MICRO SOCKET ASS'Y
C4421	1	M203-813	MICRO SOCKET ASS'Y
C4422	1	M205-831	MICRO SOCKET ASS'Y
30E22	3	E100	JUMP WIRE

HEADPHONE P.C. BOARD

REF. NO.	QTY	CARVER PART NO.	DESCRIPTION
P.C. BOARD			
33E25	1	HP-826A	PRINTED CIRCUIT BOARD
CAPACITORS			
C951	1	ME125JYF4732	CERAMIC CAPACITOR
MISCELLANEOUS			
C4504	1	M204-321A	MICRO SOCKET ASS'Y
HJ600	1	YK221-5068	MICK JACK
46E29	2	U9-#136025	UL TYPE TUNE
46E30	1	24E-05	LUG

POWER SWITCH P.C. BOARD

REF. NO.	QTY	CARVER PART NO.	DESCRIPTION
P.C. BOARD			
33E27	1	PSW-0264	PRINTED CIRCUIT BOARD
SWITCHES			
S4601	1	SUA-12445	TACT SWITCH
MISCELLANEOUS			
C4800	1	M202-824	MICRO SOCKET ASS'Y

VOLUME LED P.C. BOARD

REF. NO.	QTY	CARVER PART NO.	DESCRIPTION
P.C. BOARD			
33E29	1	VLD-826A	PRINTED CIRCUIT BOARD
SEMICONDUCTORS			
D800	1	SPR-54MVWF	LED
MISCELLANEOUS			
C4454	1	M203-920	MICRO SOCKET ASS'Y

POWER SUPPLY P.C. BOARD

REF. NO.	QTY	CARVER PART NO.	DESCRIPTION
P.C. BOARD			
44E4	1	PS-829A	PRINTED CIRCUIT BOARD
SEMICONDUCTORS			
D900	1	134B42	DIODE
D901+902	2	1N4002	DIODE
D903	1	Z050-057	ZENER DIODE 1/2W+5.7V
D904	1	1N4002	DIODE
D905	1	Z050-057	ZENER DIODE 1/2W+5.7V
D906	1	Z050-062	ZENER DIODE 1/2W+6.2V
D907	1	1N4002	DIODE
D908	1	134B42	DIODE
D909	1	1N4002	DIODE
D910	1	Z050-040	ZENER DIODE 1/2W+4V
D911	1	Z050-215	ZENER DIODE 1/2W+2.15V
D912+913	2	1N4002	DIODE
D914	1	155176	DIODE
D901	1	2SC1815-Y+GR	TRANSISTOR
D902	1	2SA1015-Y+GR	TRANSISTOR
D903	1	2581274-R+S	TRANSISTOR
D904	1	2SD1913-R+S	TRANSISTOR
D905	1	250400-E+P	TRANSISTOR
IC901+902	2	NJM78H12A	IC
IC903	1	MS230L	IC
IC904	1	NJM78H05A	IC
CAPACITORS			
C900+901	2	YE103	METALLIZED FILM CAPACITOR
C902	1	NS-16T470M	ELECTROLYTIC CAPACITOR
C903	1	NS-16T4221M	ELECTROLYTIC CAPACITOR
C904+905	2	NS-16T470M	ELECTROLYTIC CAPACITOR
C906	1	NS-16T4101M	ELECTROLYTIC CAPACITOR
C907	1	NS-50T42R2M	ELECTROLYTIC CAPACITOR
C908	1	NS-25T470M	ELECTROLYTIC CAPACITOR
C909	1	NS-50T4220M	ELECTROLYTIC CAPACITOR
C910	1	NS-50T4100M	ELECTROLYTIC CAPACITOR
C911	1	NS-16T4100M	ELECTROLYTIC CAPACITOR
C912	1	NS-35T422M-KF	ELECTROLYTIC CAPACITOR
C913+914	2	NS-30T42R2M	ELECTROLYTIC CAPACITOR
C915+916	2	NS-35T422M-KF	ELECTROLYTIC CAPACITOR
C917	1	NS-50T42R2M	ELECTROLYTIC CAPACITOR
C918	1	NS-50T41R0M	ELECTROLYTIC CAPACITOR
C919+920	2	NS-16T470M	ELECTROLYTIC CAPACITOR
C921	1	HE49SJS100K	CERAMIC CAPACITOR
C920	1	NS-16T470M	ELECTROLYTIC CAPACITOR

REF. NO.	Q'TY	CARVER PART NO.	DESCRIPTION
RESISTORS			
R900	1	KA50XT335J	CARBON RESISTOR
R901	1	KA16ST192J	CARBON RESISTOR
R902	1	KA16ST103J	CARBON RESISTOR
R904	1	KA16ST139J	CARBON RESISTOR
R905	1	KA16ST102J	CARBON RESISTOR
R906	1	KA16ST223J	CARBON RESISTOR
R907	1	KA16ST192J	CARBON RESISTOR
R910	1	KA16ST151J	CARBON RESISTOR
R911	1	KA16ST561J	CARBON RESISTOR
R912	1	MF16ST32F	METAL FILM RESISTOR
R913	1	MF16ST245F	METAL FILM RESISTOR
R914+R915	2	KA16ST153J	CARBON RESISTOR
R916	1	KA16ST561J	CARBON RESISTOR
R917	1	KA16ST151J	CARBON RESISTOR
R918	1	SA-14T08CJ-LP	METAL OXIDE RESISTOR
R919+R920	2	SA-14T191J-LP	METAL OXIDE RESISTOR
MISCELLANEOUS			
H901	1	OSH-1625-MP	HEAT SINK
H902+H904	3	OSH-1940-MP	HEAT SINK
H905	1	OSH-1625-MP	HEAT SINK
AC901+R902	2	595S4795	GND LUG
C4902	1	M202-325	MICRO SOCKET ASS'Y
C4905	1	M209-926	MICRO SOCKET ASS'Y
EL901	1	M1698	GND LUG
EL902	1	595S4795	GND LUG
F900	1	FJ-625614-SM	FUSE
M910	1	173981-8	MICRO PLUG
M909	1	173981-6	MICRO PLUG
RL900	1	DMIT-SS-112LM	RELAY
43E23	13	E050	JUMP WIRE
43E29	33	E100	JUMP WIRE
44E13	2	CNT41-0013	FUSE HOLDER
AC9000+R901	2	H7037	AC OUTLET

VIDEO P.C. BOARD

REF. NO.	Q'TY	CARVER PART NO.	DESCRIPTION
P.C. BOARD			
44E 5	1	V0N-825A	PRINTED CIRCUIT BOARD
SEMICONDUCTORS			
D201+D202	2	155176	DIODE
IC203+D204+D208	3	NJM4555B	IC
IC211	1	TC4011UP	IC
IC212	1	TC4011BP	IC
IC213	1	TC4013BP	IC
IC215	1	TC4052BP	IC
IC220	1	LA2739	IC
QV001	1	RN-1297	TRANSISTOR
QV002	1	25C1815-Y+GR	TRANSISTOR
QV003+Q04	2	RN-1297	TRANSISTOR
QV005+Q10	6	25C1815-Y+GR	TRANSISTOR
ICV001	1	TC4066BP	IC
CAPACITORS			
C206	1	NS-50TW100M	ELECTROLYTIC CAPACITOR
C207	1	NS-16TW100M	ELECTROLYTIC CAPACITOR
C208	1	NS-50TW33M	ELECTROLYTIC CAPACITOR
C209	1	NS-16TW100M	ELECTROLYTIC CAPACITOR
C210	1	NP-50TW2R2M	ELECTROLYTIC CAPACITOR
C211	1	NS-16TW100M	ELECTROLYTIC CAPACITOR
C212	1	HE40SJS470K	CERAMIC CAPACITOR
C213+D14+D16	3	MY-50VU103J	MYLAR CAPACITOR
C217	1	HE40SJS470K	CERAMIC CAPACITOR
C218+D19	2	MY-50VU104J	MYLAR CAPACITOR
C220+D21	2	NS-50TW100M	ELECTROLYTIC CAPACITOR
C222+D25+D26	5	NS-16TW100M	ELECTROLYTIC CAPACITOR
C250	1	MY-50VU182J	MYLAR CAPACITOR
C259	1	NS-16TW100M	ELECTROLYTIC CAPACITOR
C295	1	LL-50TWR33M	LOW LEAK. ELECTROLYTIC CAP.
C299	1	LL-50TWR100M	LOW LEAK. ELECTROLYTIC CAP.
C307	1	MY-50VU332J	MYLAR CAPACITOR
C308	1	NS-16TW101M	ELECTROLYTIC CAPACITOR
C309	1	MY-50VU273J	MYLAR CAPACITOR
C311	1	MY-50VU472J	MYLAR CAPACITOR
C302	1	NS-16TW220M	ELECTROLYTIC CAPACITOR
C305	1	NS-16TW101M	ELECTROLYTIC CAPACITOR
C304	1	MY-50VU222J	MYLAR CAPACITOR
C305+D37	3	NS-16TW100M	ELECTROLYTIC CAPACITOR
C306+D30	2	NS-50TW100M	ELECTROLYTIC CAPACITOR
CV001+D04	4	NS-16TW101M	ELECTROLYTIC CAPACITOR
CV005	1	NS-16TW331M	ELECTROLYTIC CAPACITOR
CV005	1	HE40SJS470K	CERAMIC CAPACITOR
CV006	1	NS-16TW101M	ELECTROLYTIC CAPACITOR
CV007	1	NS-16TW331M	ELECTROLYTIC CAPACITOR
CV008	1	NS-16TW101M	ELECTROLYTIC CAPACITOR
CV009	1	HE40SJS470K	CERAMIC CAPACITOR
EV010	1	NS-16TW102M-KF	ELECTROLYTIC CAPACITOR
EV011	1	HE955JVF223Z	CERAMIC CAPACITOR
CV012	1	NS-16TW101M	ELECTROLYTIC CAPACITOR

REF. NO.	Q'TY	CARVER PART NO.	DESCRIPTION
RESISTORS			
R241	1	KA16ST152J	CARBON RESISTOR
R242	1	KA16ST104J	CARBON RESISTOR
R244	1	KA16ST105J	CARBON RESISTOR
R245	1	KA16ST102J	CARBON RESISTOR
R246	1	KA16ST104J	CARBON RESISTOR
R247	1	KA16ST473J	CARBON RESISTOR
R248	1	KA16ST221J	CARBON RESISTOR
R249+D50	2	KA16ST473J	CARBON RESISTOR
R251	1	KA16ST153J	CARBON RESISTOR
R252	1	KA16ST622J	CARBON RESISTOR
R253+D55	3	KA16ST104J	CARBON RESISTOR
R254	1	KA16ST191J	CARBON RESISTOR
R257+D58	2	KA16ST474J	CARBON RESISTOR
R258+D62	4	KA16ST104J	CARBON RESISTOR
R263	1	KA16ST101J	CARBON RESISTOR
R264+D66	3	KA16ST104J	CARBON RESISTOR
R268	1	KA16ST274J	CARBON RESISTOR
R269	1	KA16ST622J	CARBON RESISTOR
R270	1	KA16ST473J	CARBON RESISTOR
R291	1	KA16ST332J	CARBON RESISTOR
R292	1	KA16ST123J	CARBON RESISTOR
R293	1	KA16ST181J	CARBON RESISTOR
R294	1	KA16ST153J	CARBON RESISTOR
R295	1	KA16ST103J	CARBON RESISTOR
R296	1	KA16ST273J	CARBON RESISTOR
R297	1	KA16ST471J	CARBON RESISTOR
R298+D99	2	KA16ST473J	CARBON RESISTOR
R300	1	KA16ST274J	CARBON RESISTOR
RV001	1	KA16ST473J	CARBON RESISTOR
RV002	1	KA16ST104J	CARBON RESISTOR
RV005	1	KA16ST100J	CARBON RESISTOR
RV006	1	KA16ST750J	CARBON RESISTOR
RV005+D06	2	KA16ST104J	CARBON RESISTOR
RV017	1	KA16ST750J	CARBON RESISTOR
RV004+D09	2	KA16ST104J	CARBON RESISTOR
RV010	1	KA16ST472J	CARBON RESISTOR
RV011	1	KA16ST104J	CARBON RESISTOR
RV012	1	KA16ST103J	CARBON RESISTOR
RV013	1	KA25ST391J	CARBON RESISTOR
RV014	1	KA16ST690J	CARBON RESISTOR
RV015	1	KA16ST223J	CARBON RESISTOR
RV016	1	KA16ST102J	CARBON RESISTOR
RV017	1	KA16ST471J	CARBON RESISTOR
RV018	1	KA16ST472J	CARBON RESISTOR
RV019+D20	2	KA16ST471J	CARBON RESISTOR
RV021	1	KA16ST472J	CARBON RESISTOR
RV022	1	KA16ST223J	CARBON RESISTOR
RV023	1	KA16ST103J	CARBON RESISTOR
RV024	1	KA25ST391J	CARBON RESISTOR
RV025	1	KA16ST690J	CARBON RESISTOR
RV026	1	KA16ST472J	CARBON RESISTOR
RV027	1	KA16ST223J	CARBON RESISTOR
RV028	1	KA16ST102J	CARBON RESISTOR
RV029+D31	3	KA16ST471J	CARBON RESISTOR
RV032	1	KA16ST223J	CARBON RESISTOR
RV033	1	KA16ST472J	CARBON RESISTOR
SVR201+D32	2	SVR-06T36503	SEMI-VARIABLE RESISTOR
MISCELLANEOUS			
CX300	1	S2007-0910	CONNECTOR
TP203	1	171825-2	MICRO PLUG
43E14	6	E050	JUMP WIRE
43E15	1	E075	JUMP WIRE
43E17	1	E100	JUMP WIRE
CR4001	1	171E25-5	MICRO PLUG
ELV001	1	M1698	GND LUG
JV001	1	YK221-5130	MIC JACK
JV001	1	T6226-8AAA	RCA JACK 4P

TONE CONTROL P.C. BOARD

REF. NO.	Q'TY	CARVER PART NO.	DESCRIPTION
P.C. BOARD			
44E 6	1	T0N-625A	PRINTED CIRCUIT BOARD
SEMICONDUCTORS			
ICV041	1	NJM4555B	IC
CAPACITORS			
CT041	1	ECGV14334JZ	METALLIZED FILM CAPACITOR
CT042+D43	2	MY-50VU123J	MYLAR CAPACITOR
CT044	1	MY-50VU323J	MYLAR CAPACITOR
CT045+D46	2	NS-25TW4R7M	ELECTROLYTIC CAPACITOR
CT047	1	NS-25TW220M	ELECTROLYTIC CAPACITOR
CT049	1	HE40SJV301K	CERAMIC CAPACITOR
CT049+D50	2	ECGV14334JZ	METALLIZED FILM CAPACITOR
CT051+D52	2	MY-50VU123J	MYLAR CAPACITOR
CT053	1	MY-50VU923J	MYLAR CAPACITOR
CT054	1	NS-25TW4R7M	ELECTROLYTIC CAPACITOR
CT055	1	MY-50VU562J	MYLAR CAPACITOR
CT056	1	NS-25TW4R7M	ELECTROLYTIC CAPACITOR
CT057	1	NS-25TW220M	ELECTROLYTIC CAPACITOR
CT059	1	HE40SJV301K	CERAMIC CAPACITOR
CT059	1	ECGV14334JZ	METALLIZED FILM CAPACITOR
CT060+D61	2	HE795JVF103Z	CERAMIC CAPACITOR
CT062	1	MY-50VU562J	MYLAR CAPACITOR

REF. NO.	QTY	CARVER PART NO.	DESCRIPTION
RESISTORS			
RT041	1	K416ST562J	CARBON RESISTOR
RT042	1	K416ST182J	CARBON RESISTOR
RT043	1	K416ST152J	CARBON RESISTOR
RT044	1	K416ST562J	CARBON RESISTOR
RT045	1	K416ST682J	CARBON RESISTOR
RT046	1	K416ST222J	CARBON RESISTOR
RT047	1	K416ST562J	CARBON RESISTOR
RT048-051	4	K416ST152J	CARBON RESISTOR
RT052	1	K416ST82J	CARBON RESISTOR
RT053	1	K416ST474J	CARBON RESISTOR
RT054	1	K415ST561J	CARBON RESISTOR
RT055	1	K416ST274J	CARBON RESISTOR
RT056	1	K416ST562J	CARBON RESISTOR
RT057-058	2	K416ST133J	CARBON RESISTOR
RT059	1	K416ST562J	CARBON RESISTOR
RT060	1	K415ST132J	CARBON RESISTOR
RT061	1	K416ST152J	CARBON RESISTOR
RT062	1	K416ST562J	CARBON RESISTOR
RT063-054	2	K416ST152J	CARBON RESISTOR
RT065	1	K416ST562J	CARBON RESISTOR
RT066	1	K416ST682J	CARBON RESISTOR
RT067-068	2	K416ST152J	CARBON RESISTOR
RT069	1	K416ST682J	CARBON RESISTOR
RT070	1	K416ST222J	CARBON RESISTOR
RT071	1	K416ST474J	CARBON RESISTOR
RT072	1	K416ST274J	CARBON RESISTOR
RT073	1	K416ST561J	CARBON RESISTOR
RT074	1	K416ST562J	CARBON RESISTOR
VRT041-043	3	V4107-203B21K4	ROTARY POTENTIOMETER
MISCELLANEOUS			
45E20	12	5050	JUMP WIRE
45E21	15	E100	JUMP WIRE
45E23	4	E125	JUMP WIRE
45E24	2	E150	JUMP WIRE
CNT001	1	M205-827	MICRO SOCKET ASS'Y
CNT002	1	M205-828	MICRO SOCKET ASS'Y

DISPLAY & DTS P.C. BOARD

REF. NO.	QTY	CARVER PART NO.	DESCRIPTION
P.C. BOARD			
36E 3	1	FL-8296	PRINTED CIRCUIT BOARD
SEMICONDUCTORS			
D401	1	SLR-37VR3F	LED
D402	1	SLR-37M63F	LED
D403-415	13	SLR-37VR3F	LED
7416	1	SLB-15VR3F	LED
7417-426	10	SLB-550J3F	LED
7427-427	3	SLB-55M63F	LED
7444-452, 455	10	GMA91	DIODE
7401-435	5	2SC3330-S,T	TRANSISTOR
IC401	1	TC9303AN-014	IC
IC402,403	2	L91433N	IC
IC404	1	L91423H	IC
CAPACITORS			
C401,402	2	HE505JCH270J	CERAMIC CAPACITOR
C403	1	NS-16T100M	ELECTROLYTIC CAPACITOR
C404	1	NS6R3T471M	ELECTROLYTIC CAPACITOR
C406	1	NS-16T100M	ELECTROLYTIC CAPACITOR
C407-409	3	NS-16T161M	ELECTROLYTIC CAPACITOR
C411,411	2	NS-16T160M	ELECTROLYTIC CAPACITOR
C412	1	NS-25T4R7M	ELECTROLYTIC CAPACITOR
RESISTORS			
R401	1	K416ST153J	CARBON RESISTOR
R402	1	K415ST174J	CARBON RESISTOR
R403	1	K416ST622J	CARBON RESISTOR
R404	1	K416ST123J	CARBON RESISTOR
R405	1	K416ST103J	CARBON RESISTOR
R406	1	K416ST473J	CARBON RESISTOR
R407	1	K416ST393J	CARBON RESISTOR
R408	1	K416ST681J	CARBON RESISTOR
R409	1	K416ST393J	CARBON RESISTOR
R410	1	K416ST391J	CARBON RESISTOR
R411,411	2	K416ST681J	CARBON RESISTOR
R412	1	K416ST393J	CARBON RESISTOR
R413	1	K416ST822J	CARBON RESISTOR
R414	1	K416ST393J	CARBON RESISTOR
R420-427	9	K416ST681J	CARBON RESISTOR
R429	1	K416ST102J	CARBON RESISTOR
R431,431	2	K416ST105J	CARBON RESISTOR
R432,433	2	K416ST473J	CARBON RESISTOR
R443-451	9	K416ST102J	CARBON RESISTOR
RA401	1	RA-SP-C5473J	BLOCK RESISTOR
SWITCHES			
SV401-403, 440-458	22	50A-12445	TACT SWITCH
MISCELLANEOUS			
X401	1	MC16U7-200MHZ	QUARTZ OSCILLATOR UNIT
CY302	1	M204-803	MICRO SOCKET ASS'Y
CY304	1	M208-301	MICRO SOCKET ASS'Y
CY405	1	M202-807	MICRO SOCKET ASS'Y
CY406	1	M202-806	MICRO SOCKET ASS'Y
CY407	1	M203-805	MICRO SOCKET ASS'Y
CY408	1	M206-800	MICRO SOCKET ASS'Y
CY409	1	M207-799	MICRO SOCKET ASS'Y
CY410	1	M208-804	MICRO SOCKET ASS'Y
CY413	1	M205-802	MICRO SOCKET ASS'Y

REF. NO.	QTY	CARVER PART NO.	DESCRIPTION
FL401	1	FG710F1	DISPLAY
RV401	1	SBX1403-11	REMOTE SIGNAL RECEIVING UNIT
35E13	46	E050	JUMP WIRE
35E16	1	E075	JUMP WIRE
35E20	3	E100	JUMP WIRE
35E21	4	E150	JUMP WIRE

PIC3N SURROUND P.C. BOARD

REF. NO.	QTY	CARVER PART NO.	DESCRIPTION
P.C. BOARD			
25E23	1	MS-8276	PRINTED CIRCUIT BOARD
SEMICONDUCTORS			
2208,2233-232,234-237,240,245	37	155176	DIODE
3201-204	4	RN-1207	TRANSISTOR
3205	1	25K363-4L	TRANSISTOR
3205,237	2	RN-2207	TRANSISTOR
3208,209	2	RN-1207	TRANSISTOR
3210,211	2	RN-2207	TRANSISTOR
3212,213	2	RN-1207	TRANSISTOR
3214-217	4	RN-2207	TRANSISTOR
3219-221	3	RN-1207	TRANSISTOR
3222	1	RN-2207	TRANSISTOR
3223	1	RN-1207	TRANSISTOR
3224	1	RN-2207	TRANSISTOR
3225	1	RN-1207	TRANSISTOR
3227	1	RN-1211	TRANSISTOR
3228-250	3	RN-2207	TRANSISTOR
3231-256	6	RN-1207	TRANSISTOR
3237	1	RN-2207	TRANSISTOR
3238	1	RN-1207	TRANSISTOR
3239,240	2	RN-2207	TRANSISTOR
3241	1	RN-1207	TRANSISTOR
3242	1	RN-1211	TRANSISTOR
3243	1	25A1613-Y,GR	TRANSISTOR
IC201,202,205-207,209	6	NJM4555B	IC
IC214	1	TC9215F	IC
IC216	1	LA2770	IC
IC217	1	Y4342J	IC
IC218	1	TC9214P	IC
IC219	1	TC9215P	IC
IC221	1	TC9214P	IC
IC222	1	NJM4555B	IC
IC223	1	NJM572ES	IC
IC224,225	2	NJM4555B	IC
IC226,227	2	TC9153AP	IC
IC228,229	2	NJM4555B	IC
IC230	1	TC9138P	IC
IC231	1	M51523AL	IC
IC232	1	LC6554H-4298	IC
IC233,234	2	3A6250	IC
CAPACITORS			
C201-205	5	S7-25T4R7M	ELECTROLYTIC CAPACITOR
C226	1	S7-16T100M	ELECTROLYTIC CAPACITOR
C227	1	MY-50VU183J	MYLAR CAPACITOR
C228	1	MY-50VU683J	MYLAR CAPACITOR
C229	1	MY-50VU392J	MYLAR CAPACITOR
C230,231	2	MY-50VU104J	MYLAR CAPACITOR
C232,233	2	S7-16T100M	ELECTROLYTIC CAPACITOR
C234,235	2	MY-50VU104J	MYLAR CAPACITOR
C236,237	2	ECGVI484JZ	METALLIZED FILM CAPACITOR
C238,239	2	SL-35T4R7M-RT	ELECTROLYTIC CAPACITOR
C240	1	MY-50VU682J	MYLAR CAPACITOR
C241	1	SL-35T4R7M-RT	ELECTROLYTIC CAPACITOR
C242	1	SL-35T4R7M-RT	ELECTROLYTIC CAPACITOR
C243	1	S7-50T4R22M-RT	ELECTROLYTIC CAPACITOR
C244	1	S7-16T100M	ELECTROLYTIC CAPACITOR
C245,246	2	ECGVH334JZ	METALLIZED FILM CAPACITOR
C247	1	HE405JY9681K	CERAMIC CAPACITOR
C248	1	S7-16T100M	ELECTROLYTIC CAPACITOR
C249	1	SL-35T4R7M-RT	ELECTROLYTIC CAPACITOR
C250	1	SL-50T4R22M-RT	ELECTROLYTIC CAPACITOR
C251	1	MY-50VU682J	MYLAR CAPACITOR
C252	1	S7-25T4R7M	ELECTROLYTIC CAPACITOR
C253	1	SL-35T4R7M-RT	ELECTROLYTIC CAPACITOR
C254	1	ECGVH224JZ	METALLIZED FILM CAPACITOR
C255	1	S7-16T470M	ELECTROLYTIC CAPACITOR
C256,257	2	S7-16T160M	ELECTROLYTIC CAPACITOR
C258	1	S7-16T470M	ELECTROLYTIC CAPACITOR
C259	1	S7-16T100M	ELECTROLYTIC CAPACITOR
C260	1	ECGVH4474JZ	METALLIZED FILM CAPACITOR
C261,262	2	S7-16T160M	ELECTROLYTIC CAPACITOR
C263	1	MY-50VU183J	MYLAR CAPACITOR
C264	1	MY-50VU683J	MYLAR CAPACITOR
C265	1	MY-50VU392J	MYLAR CAPACITOR
C266	1	S7-16T160M	ELECTROLYTIC CAPACITOR
C267	1	S76R3T161M	ELECTROLYTIC CAPACITOR
C268	1	MC125JZ-F473Z	CERAMIC CAPACITOR
C269	1	S7-16T100M	ELECTROLYTIC CAPACITOR
C270	1	MY-50VU332J	MYLAR CAPACITOR
C271,272	2	HE405JCH226K	CERAMIC CAPACITOR
C273,274	2	HE405JSL100K	CERAMIC CAPACITOR
C275,276	2	S7-50T4R22M	ELECTROLYTIC CAPACITOR
C277,278	2	MY-50VU275J	MYLAR CAPACITOR
C279,280	2	MY-30VU683J	MYLAR CAPACITOR
C281,282	2	MY-30VU392J	MYLAR CAPACITOR
C283,284	2	S7-16T160M	ELECTROLYTIC CAPACITOR
C290	1	HE405JY9681K	CERAMIC CAPACITOR
C291,292	2	S7-25T4R7M	ELECTROLYTIC CAPACITOR
C293,294	2	S7-16T160M	ELECTROLYTIC CAPACITOR
C299	1	SL-35T4R7M-RT	ELECTROLYTIC CAPACITOR

REF. NO.	Q'TY	CARVER PART NO.	DESCRIPTION
C311	1	57-16TW100M	ELECTROLYTIC CAPACITOR
C312	1	57-16TW100M	ELECTROLYTIC CAPACITOR
C313	1	57-16TW100M	ELECTROLYTIC CAPACITOR
C314	1	57-16TW100M	ELECTROLYTIC CAPACITOR
C315	1	57-16TW100M	ELECTROLYTIC CAPACITOR
C316	1	57-16TW220M	ELECTROLYTIC CAPACITOR
C317	1	57-16TW100M	ELECTROLYTIC CAPACITOR
C318-319	2	57-16TW220M	ELECTROLYTIC CAPACITOR
C321	1	57-25TW4R7M	ELECTROLYTIC CAPACITOR
C322	1	57-50TW1R0M	ELECTROLYTIC CAPACITOR
C324-325	2	57-25TW4R7M	ELECTROLYTIC CAPACITOR
C326	1	57-16TW220M	ELECTROLYTIC CAPACITOR
C327-329	3	57-25TW4R7M	ELECTROLYTIC CAPACITOR
C333	1	57-16TW220M	ELECTROLYTIC CAPACITOR
C331	1	57-50TW1R0M	ELECTROLYTIC CAPACITOR
C332-333	2	57-25TW4R7M	ELECTROLYTIC CAPACITOR
C334-335	2	HE705JYF103Z	CERAMIC CAPACITOR
C336-337	2	HE505JC430UJ	CERAMIC CAPACITOR
C338	1	57-16TW100M	ELECTROLYTIC CAPACITOR
C339	1	57-50TW1R0M	ELECTROLYTIC CAPACITOR
C340-342	3	MY-50VU104J	MYLAR CAPACITOR
C343	1	57-50TW1R0M	ELECTROLYTIC CAPACITOR
C351-352	2	HE705JYF103Z	CERAMIC CAPACITOR
C356	1	57-16TW100M	ELECTROLYTIC CAPACITOR
C357	1	57-16TW100M	ELECTROLYTIC CAPACITOR
C360	1	57-16TW100M	ELECTROLYTIC CAPACITOR
RESISTORS			
R201-202	2	K4165T471J	CARBON RESISTOR
R203-204	2	K4165T224J	CARBON RESISTOR
R205-206	2	K4165T134J	CARBON RESISTOR
R207-208	2	K4165T472J	CARBON RESISTOR
R209	1	K4165T203J	CARBON RESISTOR
R210	1	K4165T103J	CARBON RESISTOR
R211	1	K4165T203J	CARBON RESISTOR
R212	1	K4165T472J	CARBON RESISTOR
R213-214	2	K4165T103J	CARBON RESISTOR
R215	1	K4165T104J	CARBON RESISTOR
R216-217	2	K4165T103J	CARBON RESISTOR
R218	1	K4165T153J	CARBON RESISTOR
R219	1	K4165T104J	CARBON RESISTOR
R220-222	3	K4165T821J	CARBON RESISTOR
R223-224	2	K4165T821J	CARBON RESISTOR
R225	1	K4165T821J	CARBON RESISTOR
R226	1	K4165T153J	CARBON RESISTOR
R227	1	K4165T473J	CARBON RESISTOR
R228	1	K4165T752J	CARBON RESISTOR
R229	1	K4165T103J	CARBON RESISTOR
R230	1	K4165T752J	CARBON RESISTOR
R231	1	K4165T153J	CARBON RESISTOR
R232	1	K4165T473J	CARBON RESISTOR
R233-235	3	K4165T153J	CARBON RESISTOR
R236-237	2	K4165T474J	CARBON RESISTOR
R238	1	K4165T821J	CARBON RESISTOR
R243	1	K4165T134J	CARBON RESISTOR
R247	1	K4165T473J	CARBON RESISTOR
R263	1	K4165T472J	CARBON RESISTOR
R269	1	K4165T105J	CARBON RESISTOR
R270-271	2	K4165T104J	CARBON RESISTOR
R272-273	2	K4165T112J	CARBON RESISTOR
R274-277	4	K4165T821J	CARBON RESISTOR
R278-281	4	K4165T134J	CARBON RESISTOR
R282-283	2	K4165T224J	CARBON RESISTOR
R284-285	2	K4165T471J	CARBON RESISTOR
R286-287	2	K4165T104J	CARBON RESISTOR
R302	1	K4165T475J	CARBON RESISTOR
R303	1	K4165T332J	CARBON RESISTOR
R304	1	K4165T222J	CARBON RESISTOR
R305-306	2	K4165T104J	CARBON RESISTOR
R307	1	K4165T103J	CARBON RESISTOR
R308	1	K4165T104J	CARBON RESISTOR
R309	1	K4255S106J	CARBON RESISTOR
R310	1	K4165T474J	CARBON RESISTOR
R311	1	K4165T103J	CARBON RESISTOR
R312	1	K4165T183J	CARBON RESISTOR
R313-315	3	K4165T103J	CARBON RESISTOR
R316	1	K4165T203J	CARBON RESISTOR
R317	1	K4165T225J	CARBON RESISTOR
R318	1	K4165T335J	CARBON RESISTOR
R319	1	K4165T225J	CARBON RESISTOR
R320	1	K4165T333J	CARBON RESISTOR
R321-322	2	K4165T103J	CARBON RESISTOR
R323	1	K4165T224J	CARBON RESISTOR
R324	1	K4165T471J	CARBON RESISTOR
R325	1	K4165T473J	CARBON RESISTOR
R326	1	K4165T224J	CARBON RESISTOR
R327	1	K4165T471J	CARBON RESISTOR
R328	1	K4165T473J	CARBON RESISTOR
R329	1	K4165T273J	CARBON RESISTOR
R330	1	K4165T104J	CARBON RESISTOR
R331-332	2	K4165T105J	CARBON RESISTOR
R333	1	K4165T471J	CARBON RESISTOR
R334	1	K4165T473J	CARBON RESISTOR
R335	1	K4165T224J	CARBON RESISTOR
R336	1	K4165T473J	CARBON RESISTOR
R337	1	K4165T331J	CARBON RESISTOR
R338	1	K4165T271J	CARBON RESISTOR
R339	1	K4165T273J	CARBON RESISTOR
R340-342	3	K4165T104J	CARBON RESISTOR
R343	1	K4165T203J	CARBON RESISTOR
R344	1	K4165T224J	CARBON RESISTOR
R345	1	K4165T471J	CARBON RESISTOR
R347	1	K4165T681J	CARBON RESISTOR
R348	1	K4165T122J	CARBON RESISTOR
R350-352	3	K4165T501J	CARBON RESISTOR
R354	1	K4165T472J	CARBON RESISTOR
R355-357	3	K4165T332J	CARBON RESISTOR
R358-359	2	K4165T473J	CARBON RESISTOR
R362	1	K4165T222J	CARBON RESISTOR
R363	1	K4165T473J	CARBON RESISTOR
R364	1	K4165T474J	CARBON RESISTOR

REF. NO.	Q'TY	CARVER PART NO.	DESCRIPTION
R365-368	4	K4165T104J	CARBON RESISTOR
R369	1	K4165T223J	CARBON RESISTOR
R370-371	2	K4165T104J	CARBON RESISTOR
R372	1	K4165T472J	CARBON RESISTOR
R374	1	K4165T104J	CARBON RESISTOR
R375	1	K4165T821J	CARBON RESISTOR
R380	1	K4165T104J	CARBON RESISTOR
R381-382	3	K4165T105J	CARBON RESISTOR
R383	1	K4165T104J	CARBON RESISTOR
R4301	1	RA-SP-09104J	3 JACK RESISTOR
SVR253	1	SVR-06T36103	SEMI-VARIABLE RESISTOR
SVR254	1	SVR-06T36104	SEMI-VARIABLE RESISTOR
COILS			
L301	1	LAL03471K	INDUCTOR
MISCELLANEOUS			
F201	1	CSA3-56M6	CERAMIC OSCILLATOR UNIT
F202	1	CSA4-19M6	CERAMIC OSCILLATOR UNIT
LW3	1	2HJ263909-J-J	3-LEAD FLAT CABLE
LW8	1	2HJ265816-J-J	5-LEAD FLAT CABLE
LW13	1	2HJ267821-J-J	7-LEAD FLAT CABLE
LW17	1	2HJ269811-J-Z	9-LEAD FLAT CABLE
LW19	1	0075220417-J-J	SOLDER PLATED WIRE
LW20	1	0075220405-J-J	SOLDER PLATED WIRE
EL201-203	3	M1698	500 LUG
M401	1	1-173961-0	MICRO PLUG
M402	1	173961-8	MICRO PLUG
M403	1	173961-5	MICRO PLUG
M405-406	2	173961-2	MICRO PLUG
M407	1	173961-3	MICRO PLUG
M408	1	173961-6	MICRO PLUG
M409	1	173961-7	MICRO PLUG
M413	1	173961-9	MICRO PLUG
M421	1	173961-3	MICRO PLUG
M421	1	173961-3	MICRO PLUG
M423	1	173961-3	MICRO PLUG
M424	1	P125C-03M	MICRO PLUG
M425	2	173961-3	MICRO PLUG
M426	1	173961-7	MICRO PLUG
M4701	1	173961-3	MICRO PLUG
M4800	1	173961-2	MICRO PLUG
M4802	1	173961-3	MICRO PLUG
M4905	1	173961-7	MICRO PLUG
T9201	1	171825-3	MICRO PLUG
26E26	65	E050	JUMP WIRE
26E27	5	E075	JUMP WIRE
26E28	148	E100	JUMP WIRE
26E29	17	E125	JUMP WIRE
26E30	20	E150	JUMP WIRE

REF. NO.	Q'TY	CARVER PART NO.	DESCRIPTION
HOTTER VOLUME P.C. BOARD			
P.C. BOARD			
26E24	1	HVR-8273	PRINTED CIRCUIT BOARD
SEMICONDUCTORS			
1C405	1	L31641	IC
ZD401	1	Z050-062	ZENER DIODE+1/2W+6.2V
CAPACITORS			
C420	1	HC105JZF473Z	CERAMIC CAPACITOR
C421	1	HE705JYF103Z	CERAMIC CAPACITOR
C422	1	MS-16TW470M	ELECTROLYTIC CAPACITOR
RESISTORS			
R437-438	2	K4165T133J	CARBON RESISTOR
R445	1	K4165T100J	CARBON RESISTOR
V4001	1	V3V16-104S4MFS	ROTARY POTENTIOMETER
MISCELLANEOUS			
C451	1	M262-919	MICRO SOCKET ASS'Y
C453	1	M263-930	MICRO SOCKET ASS'Y
EL451	1	S26S1692	500 LUG
M422	1	171825-5	MICRO PLUG
M401-401	2	173961-3	MICRO PLUG
M4702	1	173961-2	MICRO PLUG
26E1	2	E050	JUMP WIRE
26E2	4	E075	JUMP WIRE
26E3	1	E100	JUMP WIRE
CHV001	1	M205-833	MICRO SOCKET ASS'Y

FRONT SWITCH P.C. BOARD

REF. NO.	Q'TY	CARVER PART NO.	DESCRIPTION
F.C. BOARD 25E25	1	FSW-8273	PRINTED CIRCUIT BOARD
SEMICONDUCTORS			
2430-435	6	SLB-550USF	LED
2436	1	SLB-55VR5F	LED
2437-442	6	SLB-550USF	LED
2443	1	SLB-55VR5F	LED
RESISTORS			
2441	1	K416ST551J	CARBON RESISTOR
2442	1	K416ST681J	CARBON RESISTOR
2452-463	12	K416ST331J	CARBON RESISTOR
SWITCHES			
2426-453	14	S3A-124HS	TACT SWITCH
MISCELLANEOUS			
C4401	1	M210-323A	MICRO SOCKET ASS'Y
C4402	1	M208-922	MICRO SOCKET ASS'Y
26E18	3	E050	JUMP WIRE

OTHER PARTS

REF. NO.	Q'TY	CARVER PART NO.	DESCRIPTION
MISCELLANEOUS			
M21	1	0075220814-D-J	SOLDER PLATED WIRE
46E17	2	CNT31-0074	SHORT PIN
46E19	1	VJR-3	SHAKE LUG
46E25-E26	12	SK-1	CORD CLAMP
46E27	1	ND.5167	CORD CLAMP

EXPLODED VIEWS

REF. NO.	Q'TY	CARVER PART NO.	DESCRIPTION
COILS			
PT900	1	MPT-2904	POWER TRANSFORMER
PT901	1	MPT-2914	POWER TRANSFORMER
46E 8	1	L71003	LOOP ANT
46E 9	1	L4-75	ANT. HOLDER
MISCELLANEOUS			
1M 1	1	M21005-1	FRONT PANEL
1M 3	1	M45714-1	SUB PANEL(L)
1M 4	1	M31115-1	SUB PANEL(R)
1M 5	2	GK4006A-BK1	HANDLE
1M 6	4	M44092-BK1	HANDLE SPACER
1M 6	1	M31117	FRONT GLASS
1M 9	1	M31113-1	DISPLAY GLASS
1M10	2	M45710-1	FUNCTION GLASS
1M12	1	M31111-T-BK1	KNOB 33
1M13	4	M44200-T-BK1	KNOB 12
1M14	1	M45522	LED CHIP
1M15	2	M4566E	TACT BUTTON
1M16	1	M45663-2	TACT BUTTON
1M17	1	M45663-4	TACT BUTTON
1M18	2	M45666	TACT BUTTON
1M19	2	M31115	TACT BUTTON*7
1M20	6	M45646A	PUSH BUTTON
1M21	2	M42797-BK1	DECORATION SCREW
1M23	1	M21817	CABINET
1M25	1	M21819A-1a	REAR PANEL
1M26	1	M21819	BOTTOM BOARD
1M27	4	ND.7134	FOOT
1M29	1	M10565-1	FRONT BASE
2M 2	1	M21863	CENTER METAL*1
2M 3	1	M31125	CENTER METAL*2
2M 4	1	M31124	SIDE METAL*1
2M 5	1	M31123	SIDE METAL*2
2M 7	2	M42722A	FITTINGS (P.T.)
2M11	1	M45711	VR METAL*1
2M12	1	M45713	VR METAL*2
2M13	1	M45712	PCB METAL*2
2M15	1	M31133	INSULATION SHEET
2M16	2	M45813	SHEET,SHIELD
2M18	1	M45811	RT CUSHION
2M19	1	M45789B	RT CUSHION
2M20	1	M45797	SPACER
2M21	1	M45774	CUSHION
2M24	4	SPS-30V	LED SPACER
2M25	1	M21807	LED HOLDER
2M26	4	M408496	SHAFT TAPE
3M 1	1	M41313-1	POLYETHYLENE BAG
3M 2	1	M40487	POLYETHYLENE BAG (ACCESSORIES)
3M 3	2	M21373A-1	PACKING PAD
3M 5	1	M21844-2A	INNER CARTON
3M11	1	M31069	PACKING PAD(FRONT)
3M12	1	M44675	PACKING PAD(TOP)
3M14	1	06-966A	INSTRUCTION MANUAL
3M16,M17	2	M45335	LABEL, SERIAL NO.
3M18	2	M42235	SHEET, SERIAL NUMBER
3M19	1	M44043	LABEL, S41905(LIGHTNING FLASH)
3M22	1	M41939	LABEL, FUSE
3M24	1	M31136	WARRANTY R
3M25	1	M31137	LIMITED WARRANTY
3M27	1	M45775	LABEL, PKO-LOGIC
3M29	1	M45487	LABEL, UL
4M 1-M 3	2	T3P-25X06-Y	TAP SCREW 3, PAN HEAD, Y
4M 7	4	T3S-37X06-Y	TAP SCREW 8, FLAT HEAD, Y
4M11-M19	27	T3B-37X06-B	TAP SCREW 8, BIND HEAD, B

REF. NO.	Q'TY	CARVER PART NO.	DESCRIPTION
5M 8-M10, M12-M10, M10	23	T3B-30X06-B	TAP SCREW 5, BIND HEAD, B
4M21-M30	17	T3P-30X06-B	TAP SCREW 5,PAN HEAD,B
6M 1-M 7	14	T3C-30X06-Y	TAP SCREW 5, WASHER FACED, Y
3M12	1	T3C-30X16-Y	TAP SCREW 5,WASHER FACED,Y
3M15	2	T3B-40X10-B	TAP SCREW 8,BIND HEAD,B
4M10-M20	10	T3B-40X10-B	TAP SCREW 5, BIND HEAD, B
4M25	4	SSP2-40X10-B	SCREW-SP ASSY, PAN HEAD,B
4M26	1	2TWX39-Y	TOOTHED LOCK WACHER
37E17	1	PET41-0105	SNAP PLATE
45E 1	1	ACC-02204-4EE1	LINE COIL
46E 3	1	SR-4N-4	CORD STOPPER
45E 5	1	YKD41-6064	GROUND TERMINAL
46E 6	1	TA-367	ONE TOUCH COLLAR
45E10	1	TANT-164	FM ANTENNA (CORD)
45E11	1	YAE21-0061D	MATCHING ADAPTOR
46E12	3	KGL5-16R1	LOCKING SUPPORT
46E14	1	RC-CT17	REMOTE CONTROL TRANSMITTER
46E15	1	UN-3-2	BATTERY
46E26,E21	2	R-024-13	CABLE ASS'Y

P.C. BOARD ASS'Y

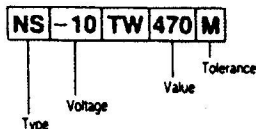
REF. NO.	Q'TY	CARVER PART NO.	DESCRIPTION
10P 7	1		TUNER P.C. BOARD
25P23	1		MICRO SURROUND P.C. BOARD
25P24	1		MOTOR VOLUME P.C. BOARD
25P25	1		FRONT SWITCH P.C. BOARD
33P25	1		FUNCTION & EQ P.C. BOARD
33P26	1		AUDIO SWITCH P.C. BOARD
33P27	1		POWER SWITCH P.C. BOARD
33P28	1		HEADPHONE P.C. BOARD
33P29	1		VOLUME LED P.C. BOARD
35P 3	1		DISPLAY & DTS P.C. BOARD
44P 4	1		POWER SUPPLY P.C. BOARD
44P 5	1		VIDEO P.C. BOARD
44P 6	1		TOPE CONTROL P.C. BOARD

DIFFERENT PARTS LIST

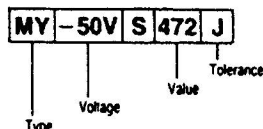
Ref.No.	Description	CT-17(UL)	CT-17(EX)
TUNER P.C. BOARD			
C055,056	MYLAR CAPACITOR	MY-50VU102J	-
C055,056	CERAMIC CAPACITOR	-	HE11SJSLS681J
C073,074	CERAMIC CAPACITOR	-	HE80SJSLS331J
SW051	SLIDE SWITCH	-	SW-5220157
POWER SUPPLY P.C. BOARD			
SW900,901	SWITCH	-	SW-5220218
DISPLAY & DTS P.C. BOARD			
D453,454	DIODE	-	GMA01
SW459	SLIDE SWITCH	-	SW-5121298

Capacitors Description

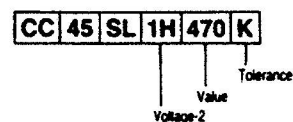
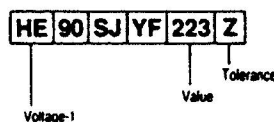
• Electrolytic



• Mylar - Styrol

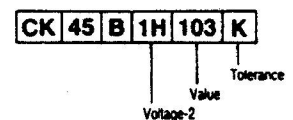


• Ceramic



• Electrolytic

Type	Voltage	Value	Tolerance
LL: Low Leak	-10: 10V	R47: 0.47µF	K: ±10%
NP: Non-Pole	-50: 50V	4R7: 4.7µF	M: ±20%
NS: Standard	6R3: 6.3V	470: 47µF	
		471: 470µF	
		472: 4700µF	



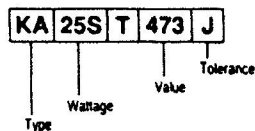
• Mylar - Styrol

Type	Voltage	Value	Tolerance
MY: Mylar	-25V: 25V	4R7: 4.7pF	G: ±2%
ST: Styrol	125V: 125V	470: 47pF	J: ±5%
	-63T: 63V	471: 470pF	K: ±10%
		472: 4700pF	M: ±20%
		473: 0.047µF	
		474: 0.47µF	
		(1000pF=0.001µF)	

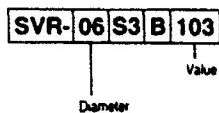
Voltage-1	Voltage-2	Value	Tolerance
HC: 25V	1E: 25V	4R7: 4.7pF	C: ±0.25pF
HE: 50V	1H: 50V	470: 47pF	D: ±0.5pF
H: 100V	2H: 500V	471: 470pF	F: ±1pF
HK: 250V		472: 4700pF	J: ±5%
HM: 500V		473: 0.047µF	K: ±10%
		474: 0.47µF	M: ±20%
		(1000pF=0.001µF)	Z: +80~-20%

Resistors Description

• Fixed

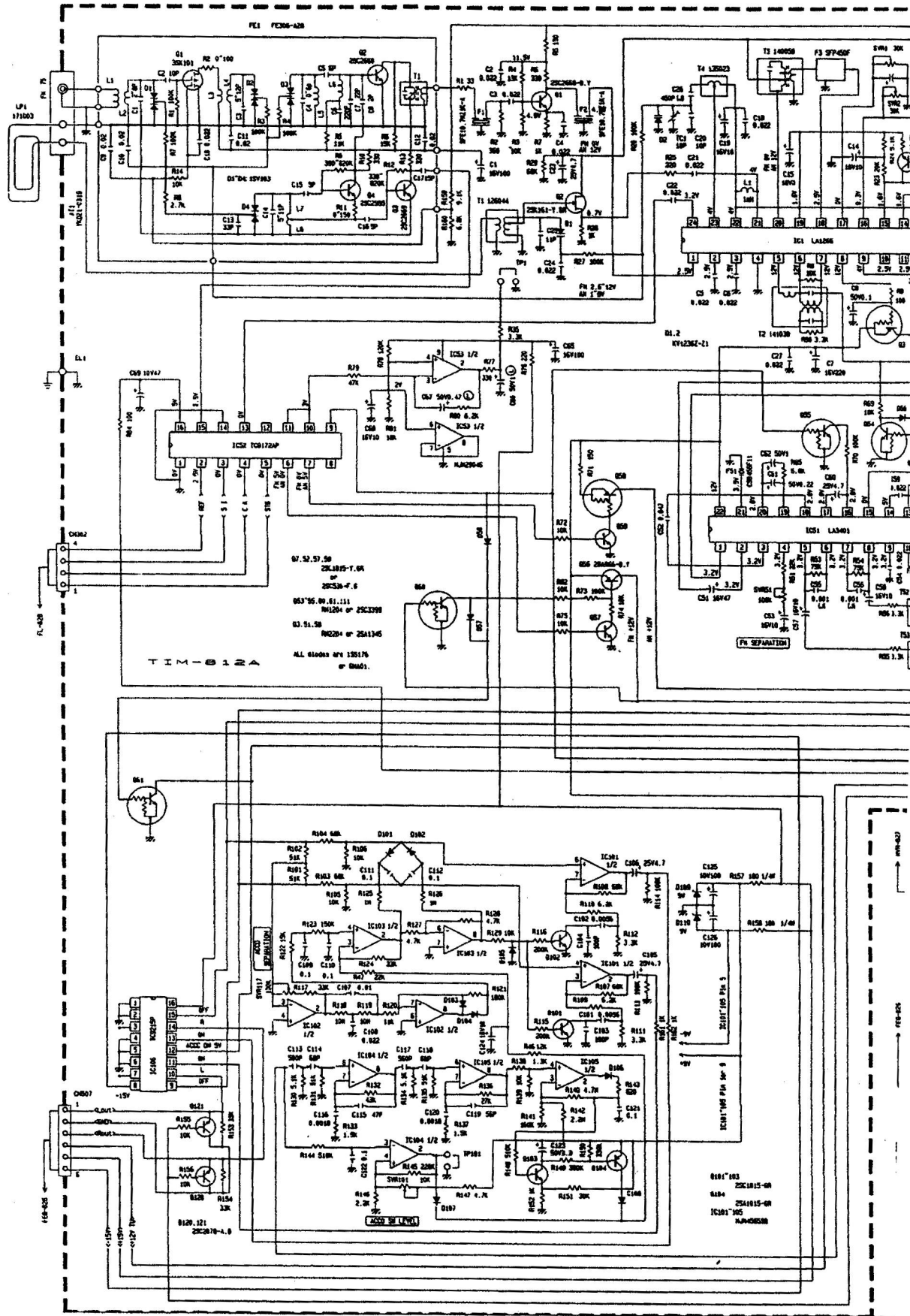


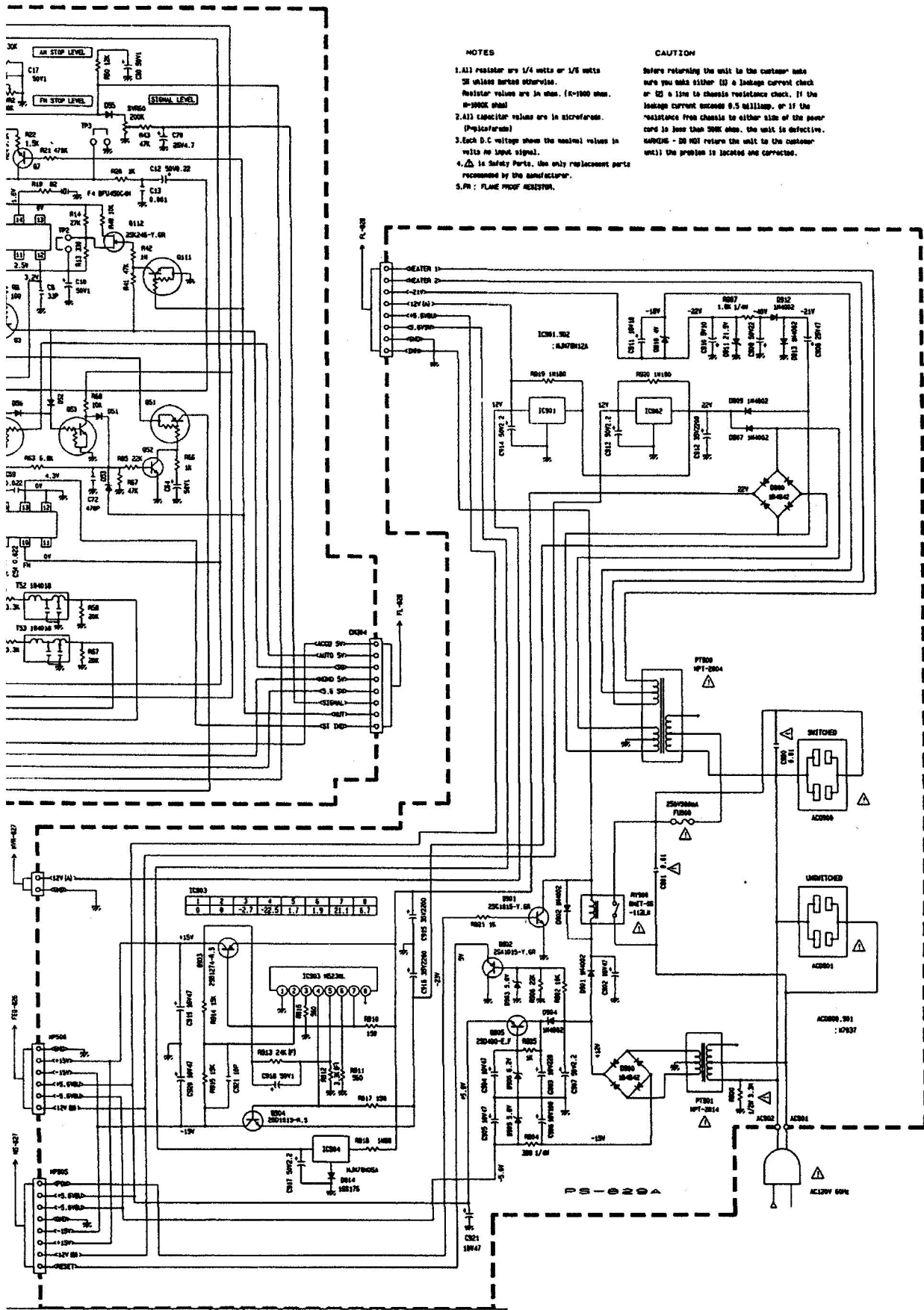
• Semi-Variable



Type	Wattage	Value	Tolerance	Diameter
CE: Cement Case	-2W: 2W	R47: 0.47Ω	M: ±20%	08: 8φ
FR: Flame Proof	10W: 10W	4R7: 4.7Ω	K: ±10%	10: 10φ
KA: Carbon	1/8S: 1/8W	470: 47Ω	J: ±5%	06: 6φ
MF: Metal Film	20S: 1/5W	471: 470Ω	G: ±2%	
RF: Fusible	25S: 1/4W	472: 4.7kΩ	F: ±1%	
SA: Metal Oxide	50S: 1/2W	473: 47kΩ	D: ±0.5%	
	50X: 1/2W	474: 470kΩ		
	S3W: 3W	475: 4.7MΩ		

SCHEMATIC DIAGRAMS (UL Version only)



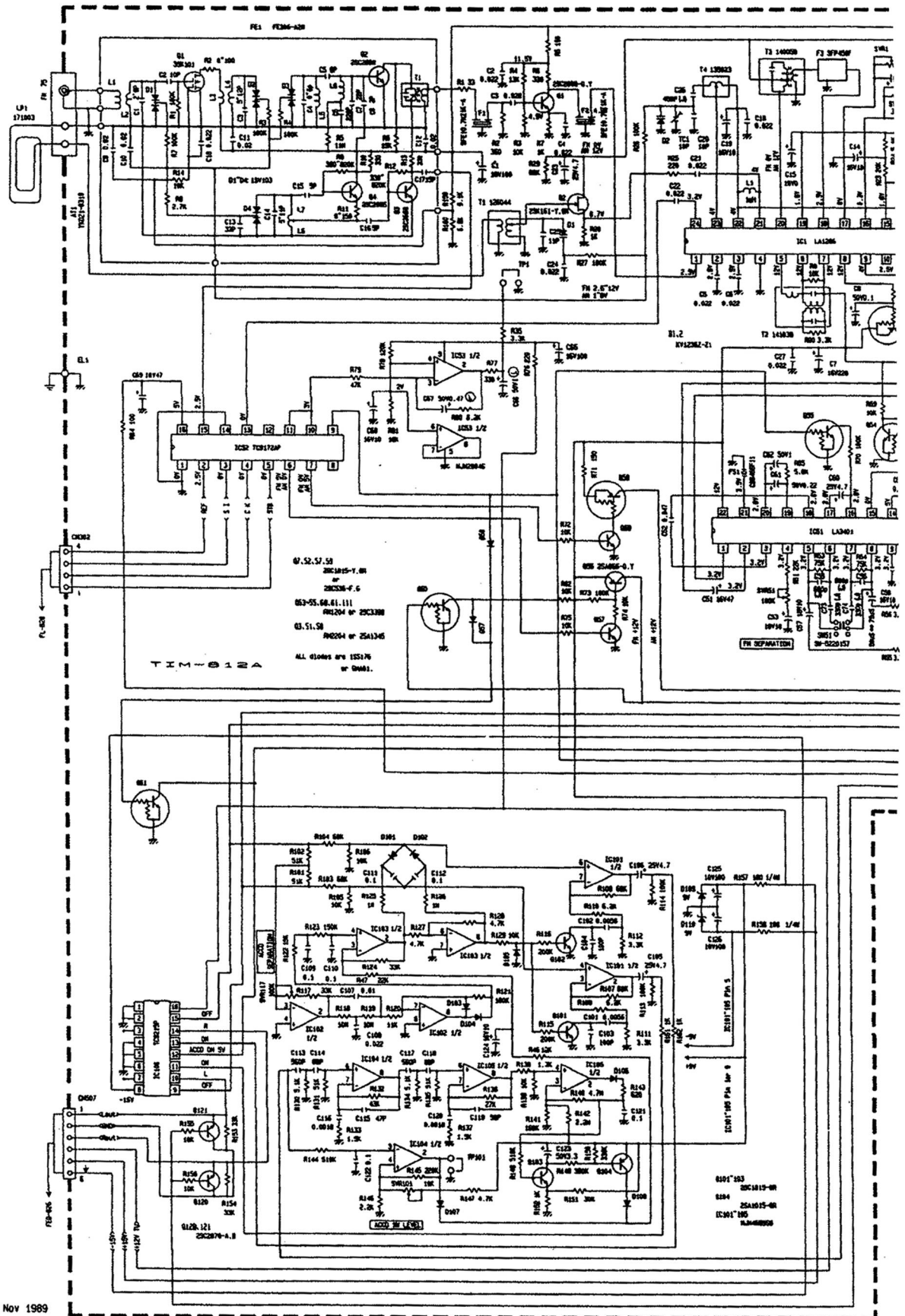


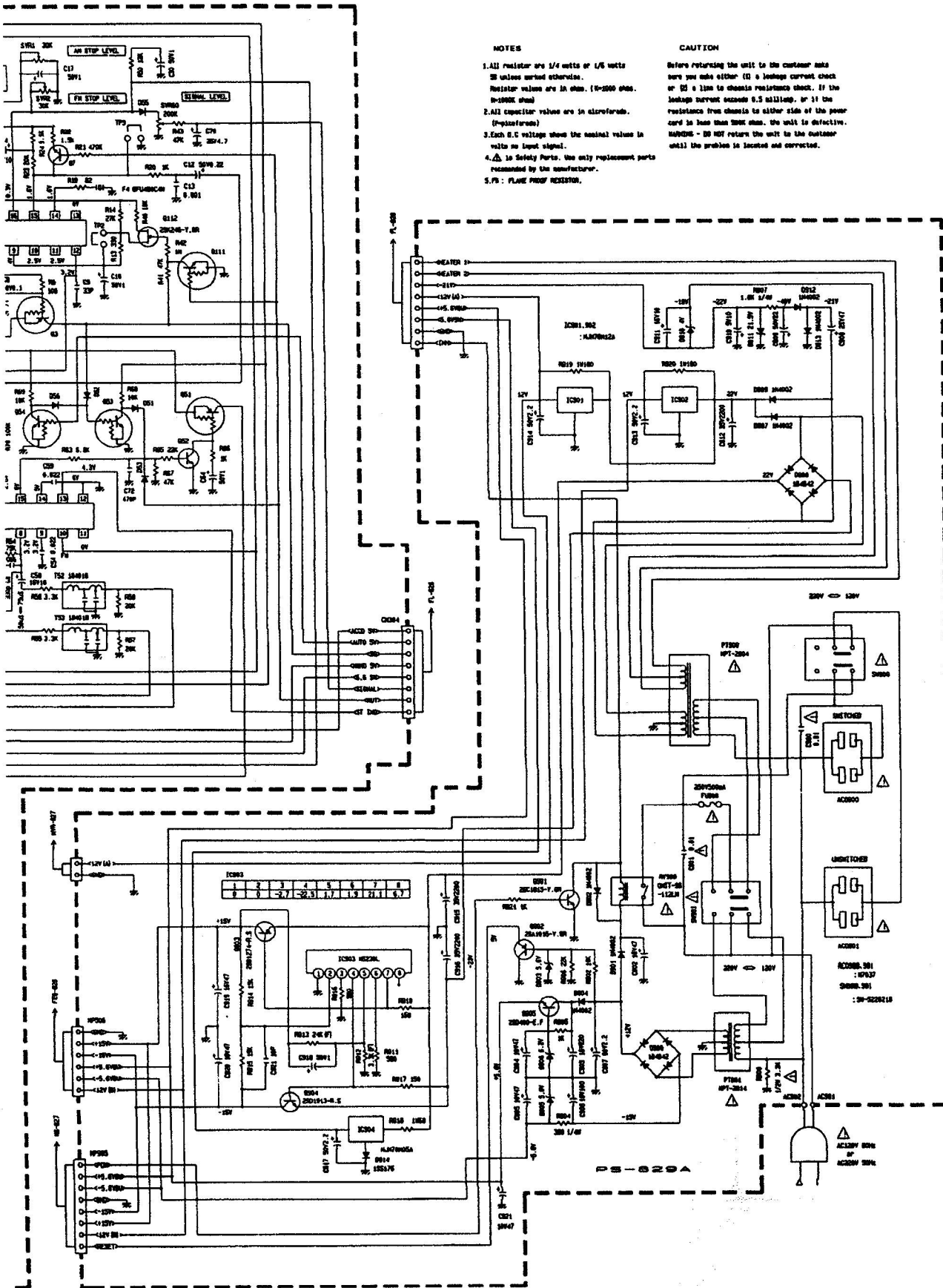
- NOTES**
1. All resistors are 1/4 watts or 1/8 watts unless otherwise specified. Resistor values are in ohms, (K=1000 ohms, M=100K ohms).
 2. All capacitor values are in microfarads (Polyester).
 3. Each D.C. voltage shown the nominal values in volts no load signal.
 4. ⚠ is Safety Parts, the only replacement parts recommended by the manufacturer.
 5. PR = FLAME PROOF RESISTOR.

CAUTION

Before returning the unit to the customer make sure you make either (1) a leakage current check or (2) a line to chassis resistance check. If the leakage current exceeds 0.5 milliamperes, or if the resistance from chassis to either side of the power cord is less than 200K ohms, the unit is defective. **WARNING - DO NOT** return the unit to the customer until the problem is located and corrected.

(EX Version only)





NOTES

1. All resistors are 1/4 watts or 1/8 watts unless noted otherwise. Resistor values are in ohms. (10-200 ohms. 10-200K ohms)
2. All capacitor values are in microfarads. (Picofarads)
3. Each D.C. voltage shows the nominal value in volts no load signal.
4. ⚠ In Safety Parts, the only replacement parts recommended by the manufacturer.
5. P.F. : PLATE PROOF RESISTOR.

CAUTION

Before returning the unit to the customer make sure you make either (I) a leakage current check or (II) a line to chassis resistance check. If the leakage current exceeds 0.5 milliamperes, or if the resistance from chassis to either side of the power cord is less than 200K ohms, the unit is defective. **WARNING - DO NOT** return the unit to the customer until the problem is located and corrected.

